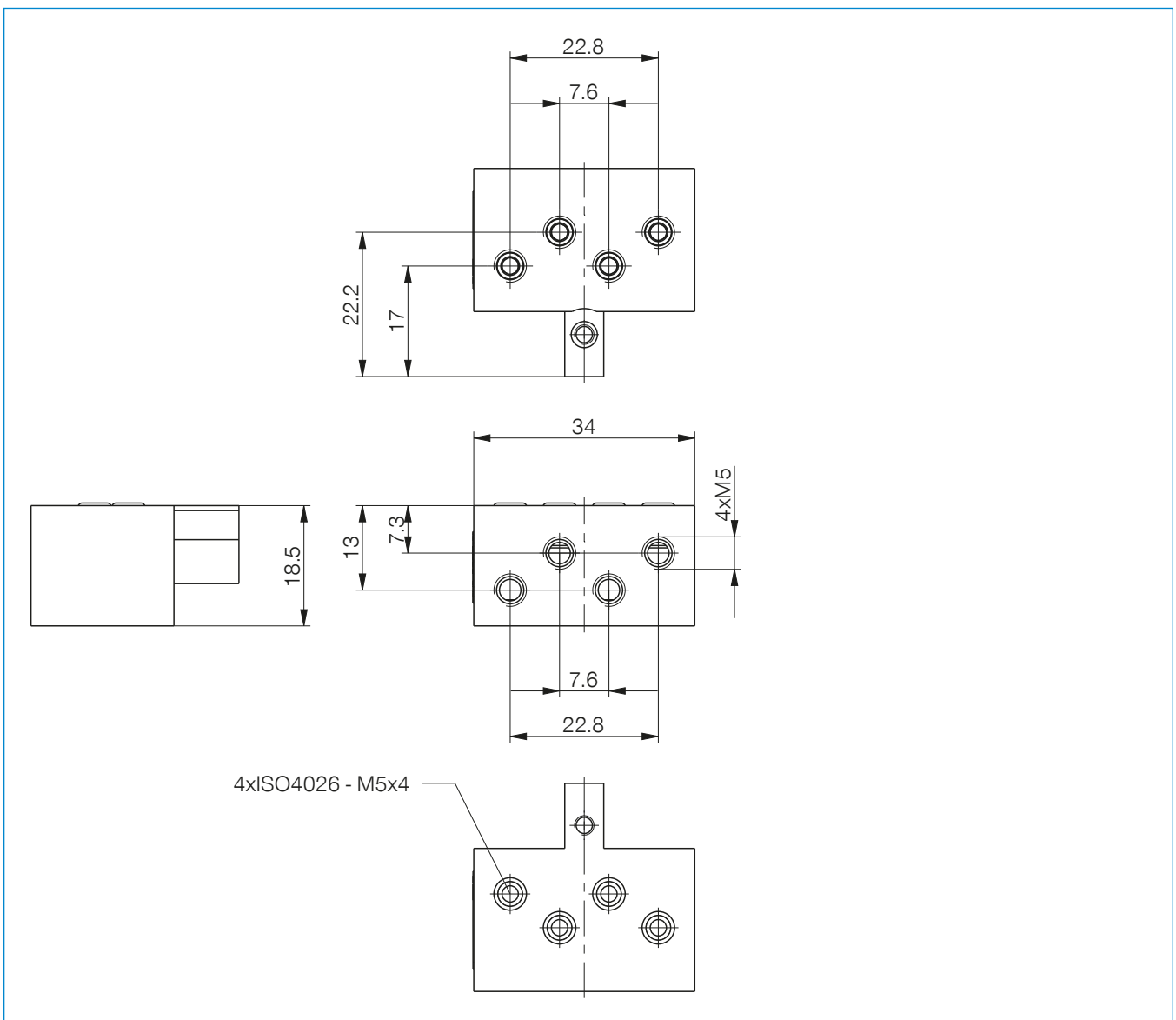


# ENERGY ELEMENT

## WER1000FPL04-12-B

Order no.	Technical Data
Series	WER1000
Transmission mode	pneumatic
compatible with installation size	HWR2031 / HWR2040 / HWR2050 / HWR63-B / HWR80-B / WWR40-B / WWR50-B / WWR63-B / WWR80-B
compatible with	Fixed part
Number of fluid couplings	4
Fixing thread	M5
Operating pressure [bar]	-0.6 ... 10
Protection to IEC 60529	IP54*
Weight [kg]	0.038

\*only in coupled state

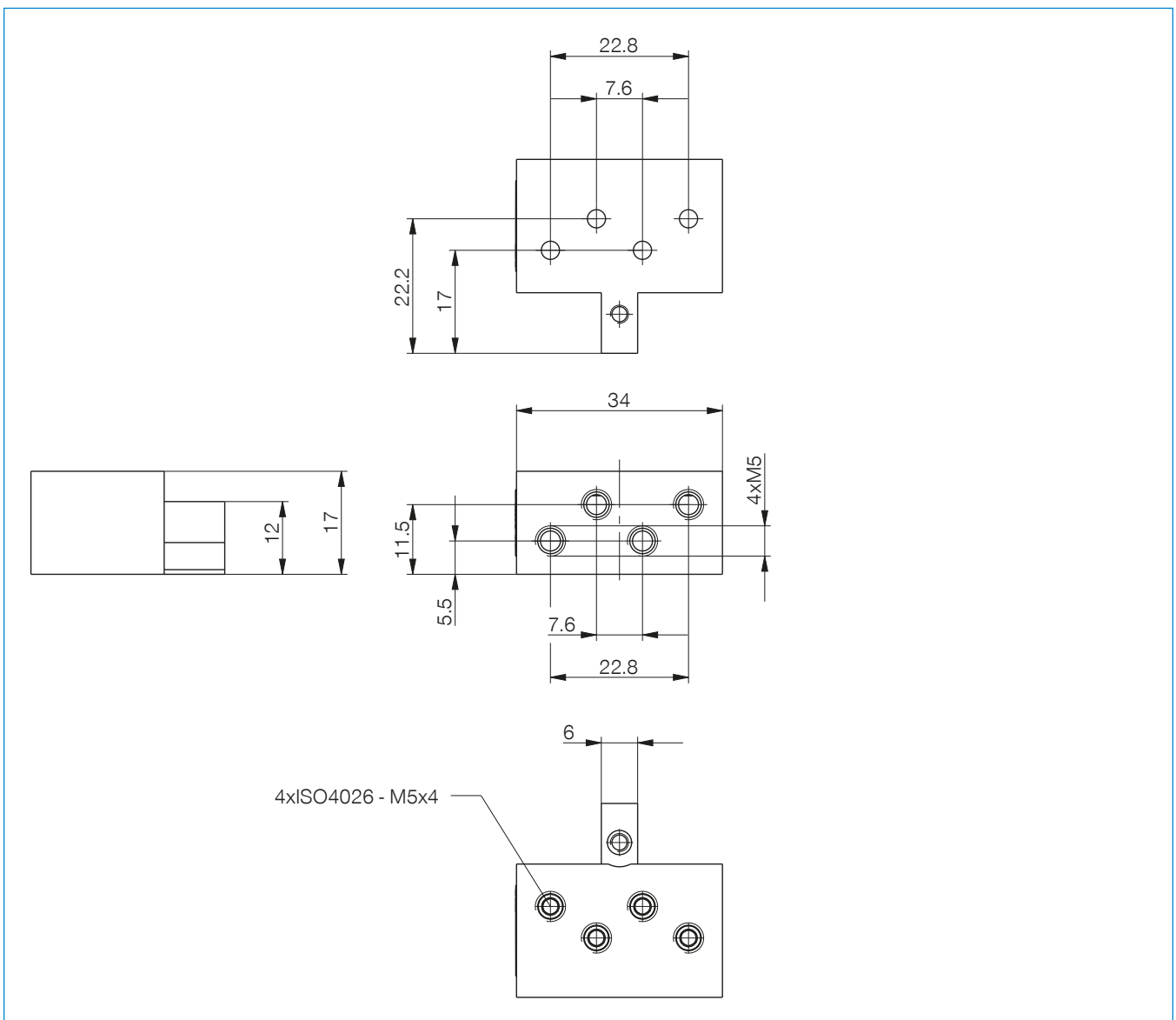


# ENERGY ELEMENT

## WER1000LPL04-12-B

Order no.	Technical Data
Series	WER1000
Transmission mode	pneumatic
compatible with installation size	HWR2031 / HWR2040 / HWR2050 / HWR63-B / HWR80-B / WWR40-B / WWR50-B / WWR63-B / WWR80-B
compatible with	Lot part
Number of fluid couplings	4
Fixing thread	M5
Operating pressure [bar]	-0.6 ... 10
Protection to IEC 60529	IP54*
Weight [kg]	0.035

\*only in coupled state

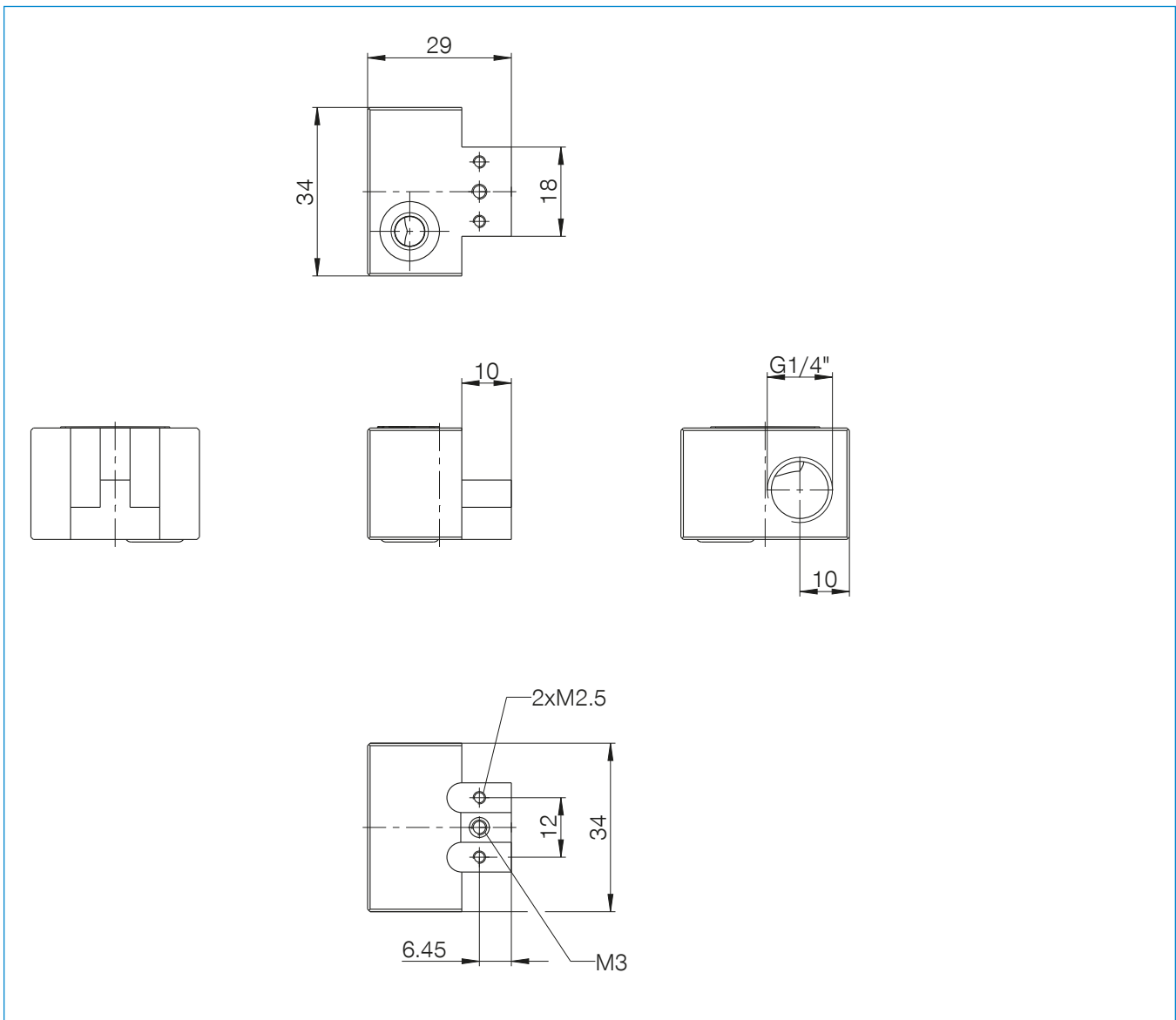


# ENERGY ELEMENT

## WER2000FPL01-03-B

► Technical Data	
<b>Order no.</b>	<b>WER2000FPL01-03-B</b>
Series	WER2000
Transmission mode	pneumatic
compatible with installation size	HWR63-B / HWR80-B / WWR63-B / WWR80-B
compatible with	Fixed part
Number of fluid couplings	1
Fixing thread	G1/4"
Operating pressure [bar]	-0.6 ... 10
Protection to IEC 60529	IP54*
Weight [kg]	0.036

\*only in coupled state

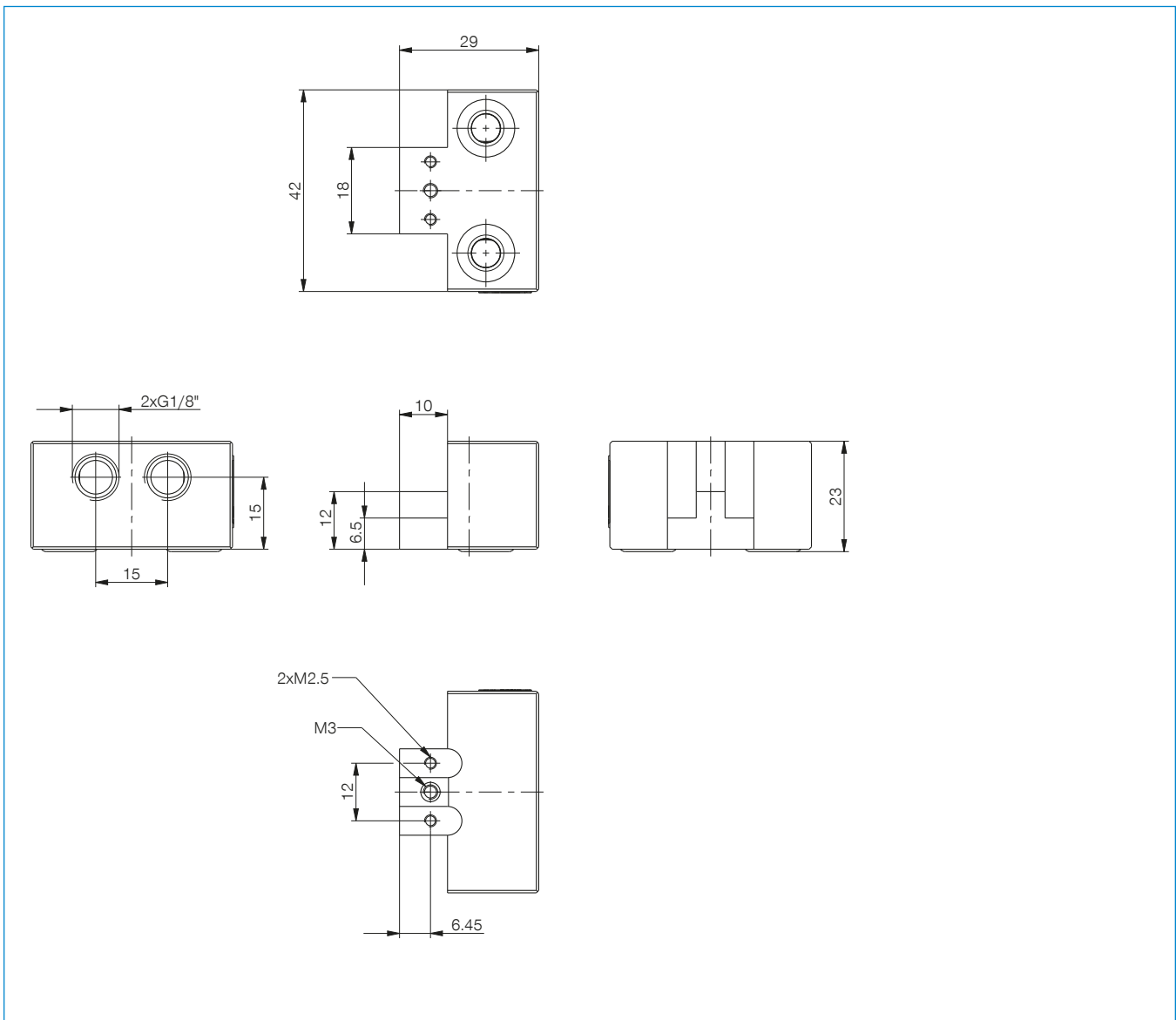


# ENERGY ELEMENT

## WER2000FPL02-06-B

Order no.	▶ Technical Data
Series	WER2000
Transmission mode	pneumatic
compatible with installation size	HWR63-B / HWR80-B / WWR63-B / WWR80-B
compatible with	Fixed part
Number of fluid couplings	2
Fixing thread	G1/8"
Operating pressure [bar]	-0.6 ... 10
Protection to IEC 60529	IP54*
Weight [kg]	0.042

\*only in coupled state

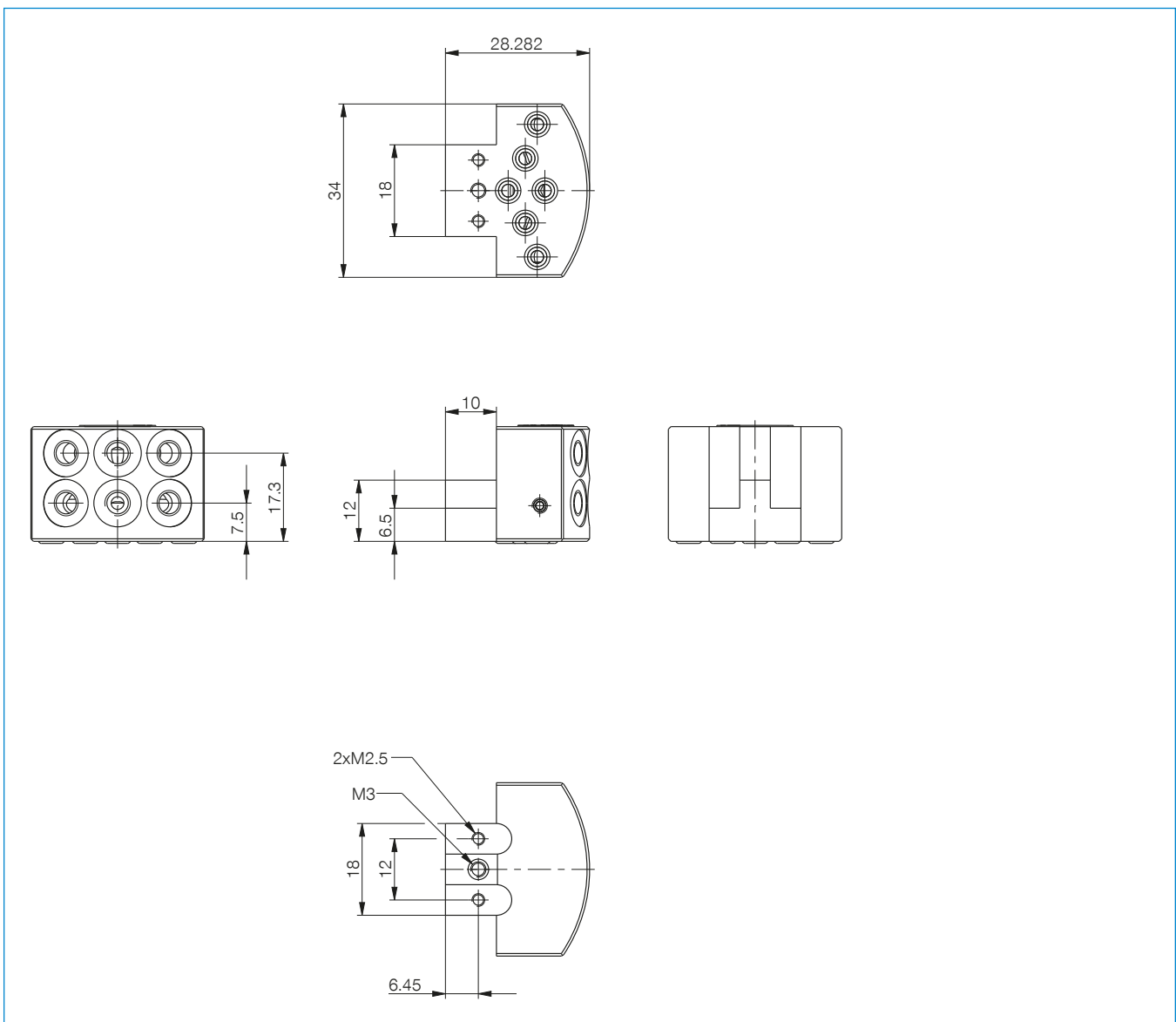


# ENERGY ELEMENT

## WER2000FPL06-12-B

Order no.	Technical Data
Series	WER2000
Transmission mode	pneumatic
compatible with installation size	HWR63-B / HWR80-B / WWR63-B / WWR80-B
compatible with	Fixed part
Number of fluid couplings	6
Fixing thread	M5
Operating pressure [bar]	-0.6 ... 10
Protection to IEC 60529	IP54*
Weight [kg]	0.033

\*only in coupled state

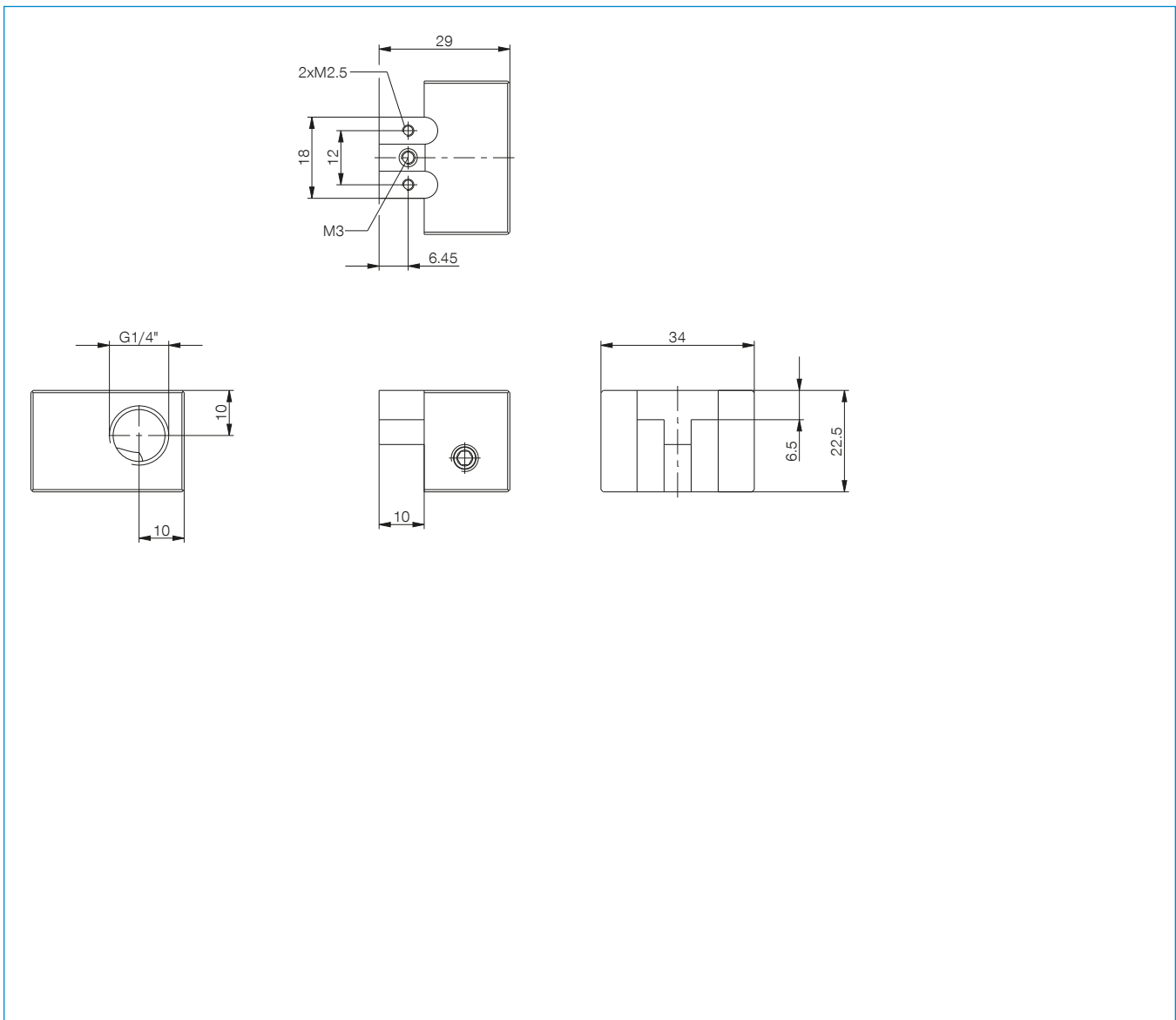


# ENERGY ELEMENT

## WER2000LPL01-03-B

Order no.	Technical Data
Series	WER2000
Transmission mode	pneumatic
compatible with installation size	HWR63-B / HWR80-B / WWR63-B / WWR80-B
compatible with	Lot part
Number of fluid couplings	1
Fixing thread	G1/4"
Operating pressure [bar]	-0.6 ... 10
Protection to IEC 60529	IP54*
Weight [kg]	0.038

\*only in coupled state

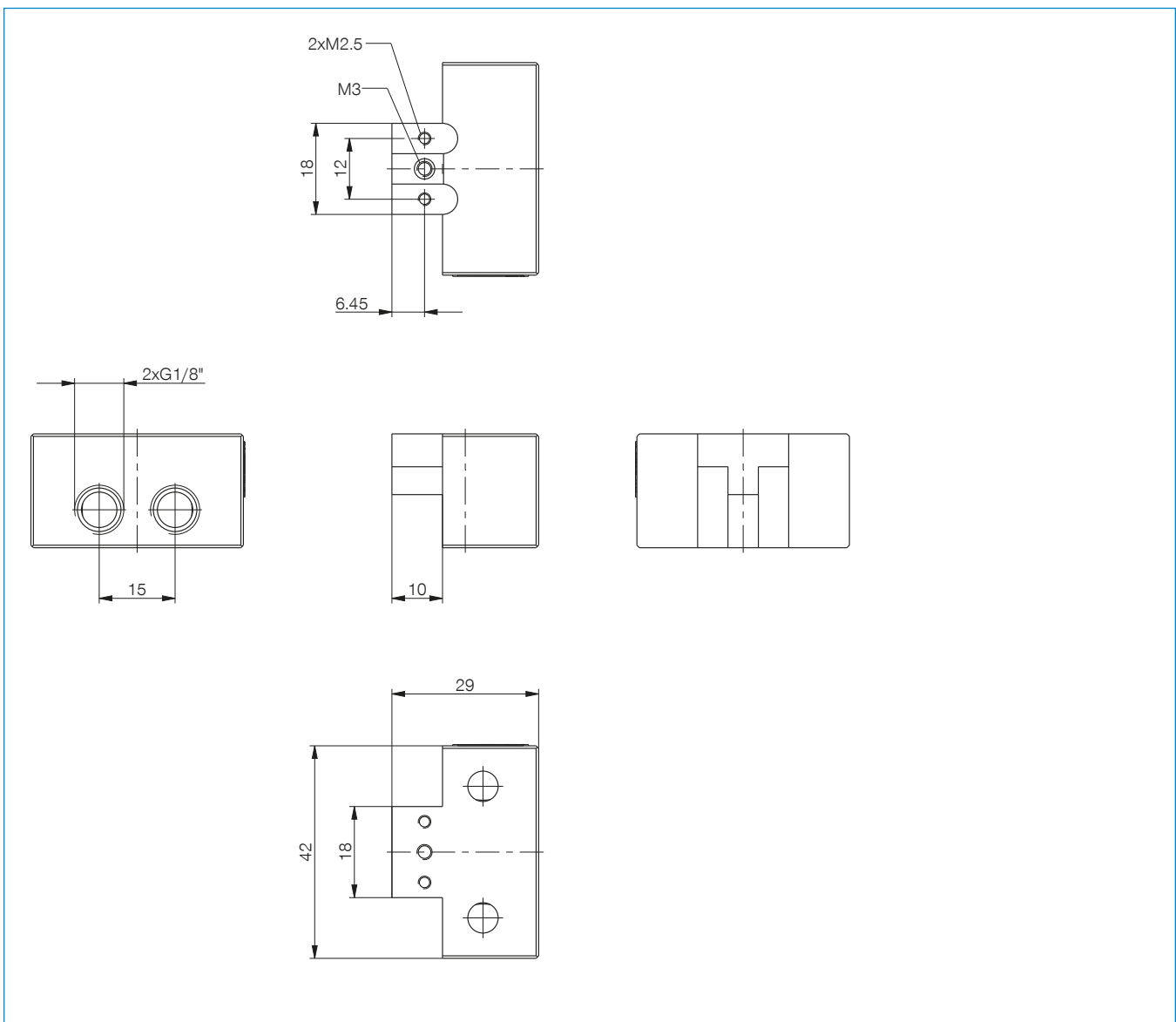


# ENERGY ELEMENT

## WER2000LPL02-06-B

Order no.	Technical Data
Series	WER2000
Transmission mode	pneumatic
compatible with installation size	HWR63-B / HWR80-B / WWR63-B / WWR80-B
compatible with	Lot part
Number of fluid couplings	2
Fixing thread	G1/8"
Operating pressure [bar]	-0.6 ... 10
Protection to IEC 60529	IP54*
Weight [kg]	0.045

\*only in coupled state

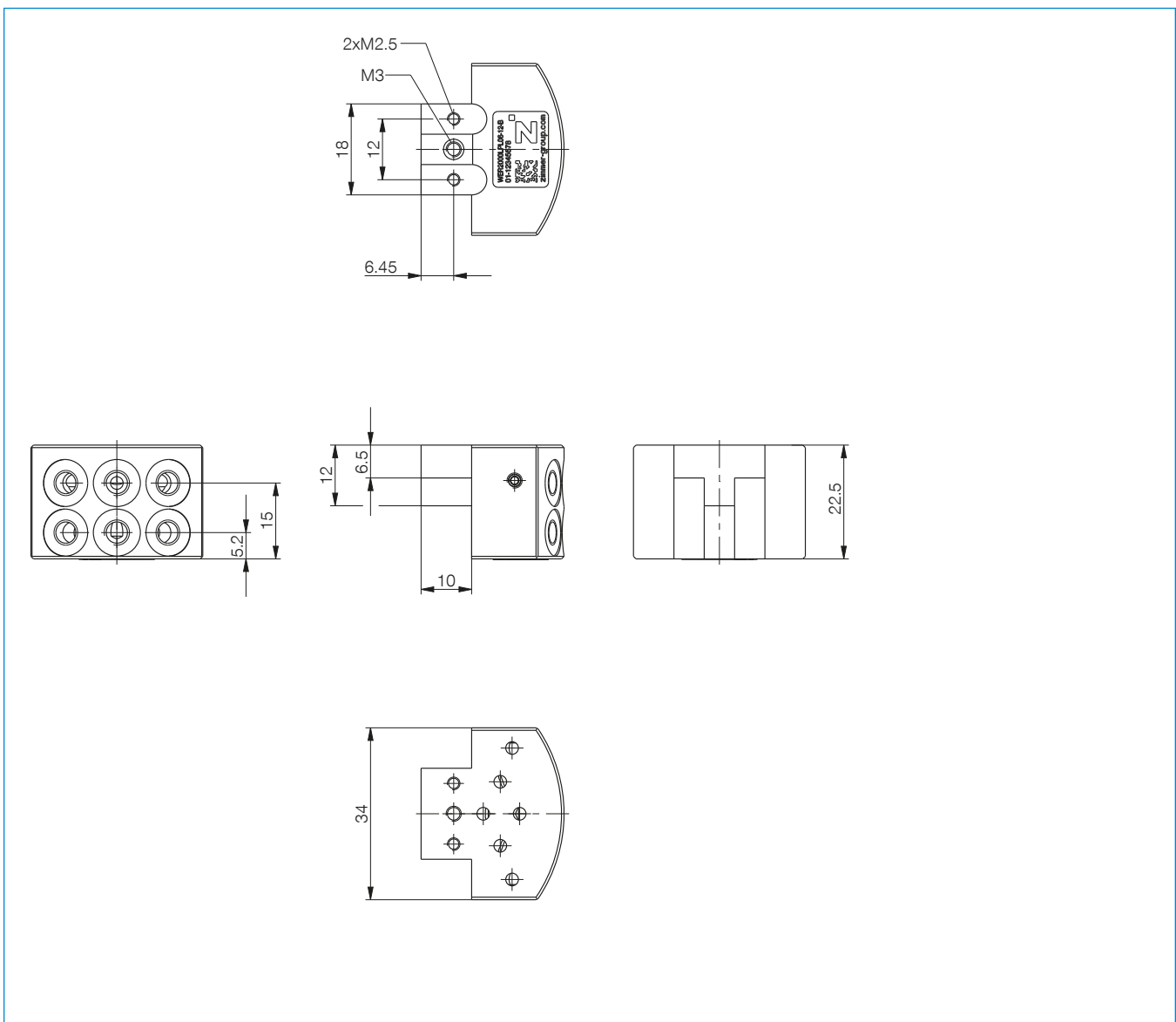


# ENERGY ELEMENT

## WER2000LPL06-12-B

Order no.	▶ Technical Data
Series	WER2000
Transmission mode	pneumatic
compatible with installation size	HWR63-B / HWR80-B / WWR63-B / WWR80-B
compatible with	Lot part
Number of fluid couplings	6
Fixing thread	M5
Operating pressure [bar]	-0.6 ... 10
Protection to IEC 60529	IP54*
Weight [kg]	0.034

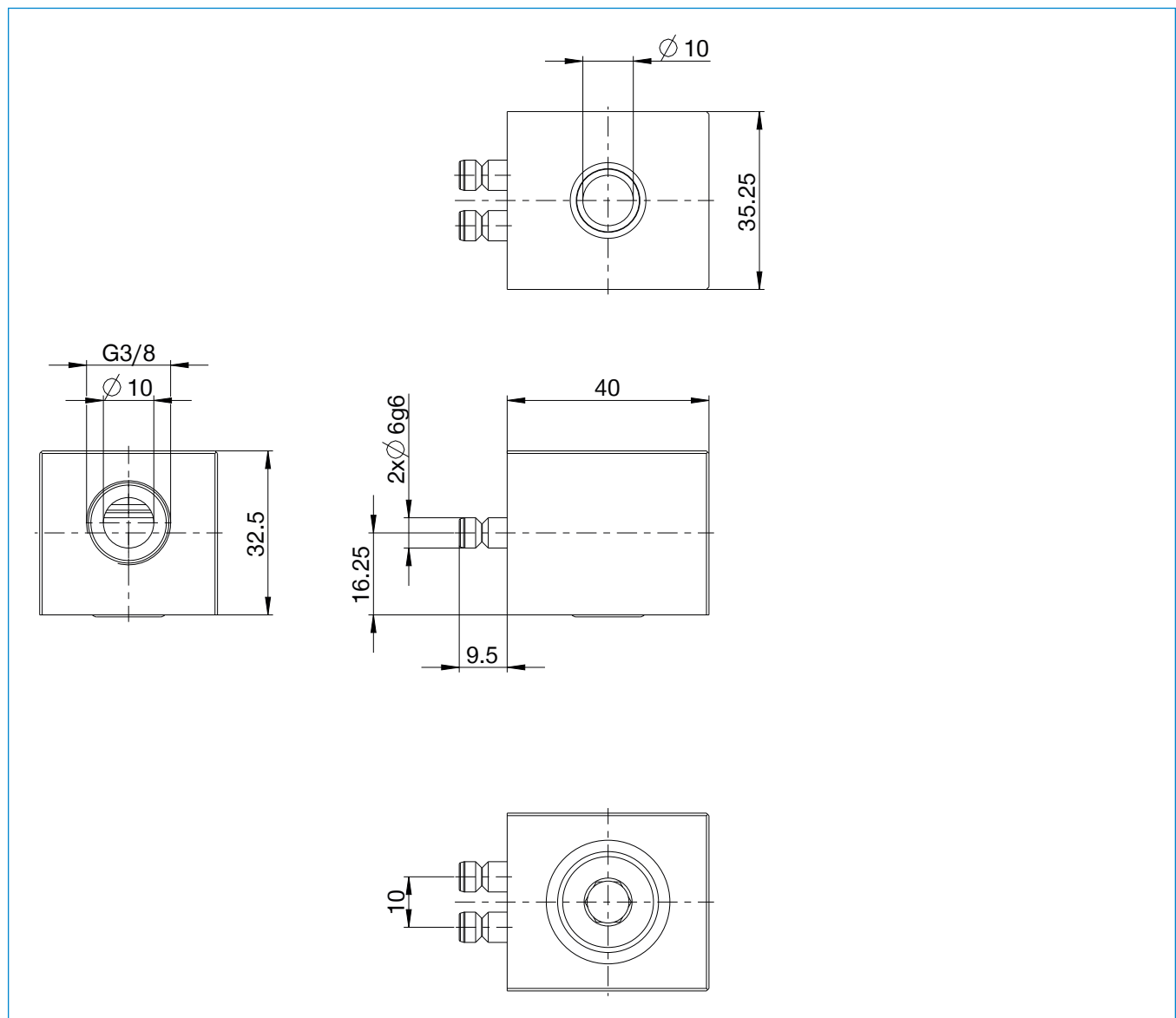
\*only in coupled state





► Technical Data	
<b>Order no.</b>	<b>WER3000FPL01-04</b>
Series	WER3000
Transmission mode	pneumatic
compatible with installation size	WWR100 / WWR125 / WWR160 / WWR1160 / WWR1200
compatible with	Fixed part
Number of fluid couplings	1
Fixing thread	G3/8"
Operating pressure [bar]	-0.6 ... 10
Protection to IEC 60529	IP54*
Weight [kg]	0.13

\*only in coupled state

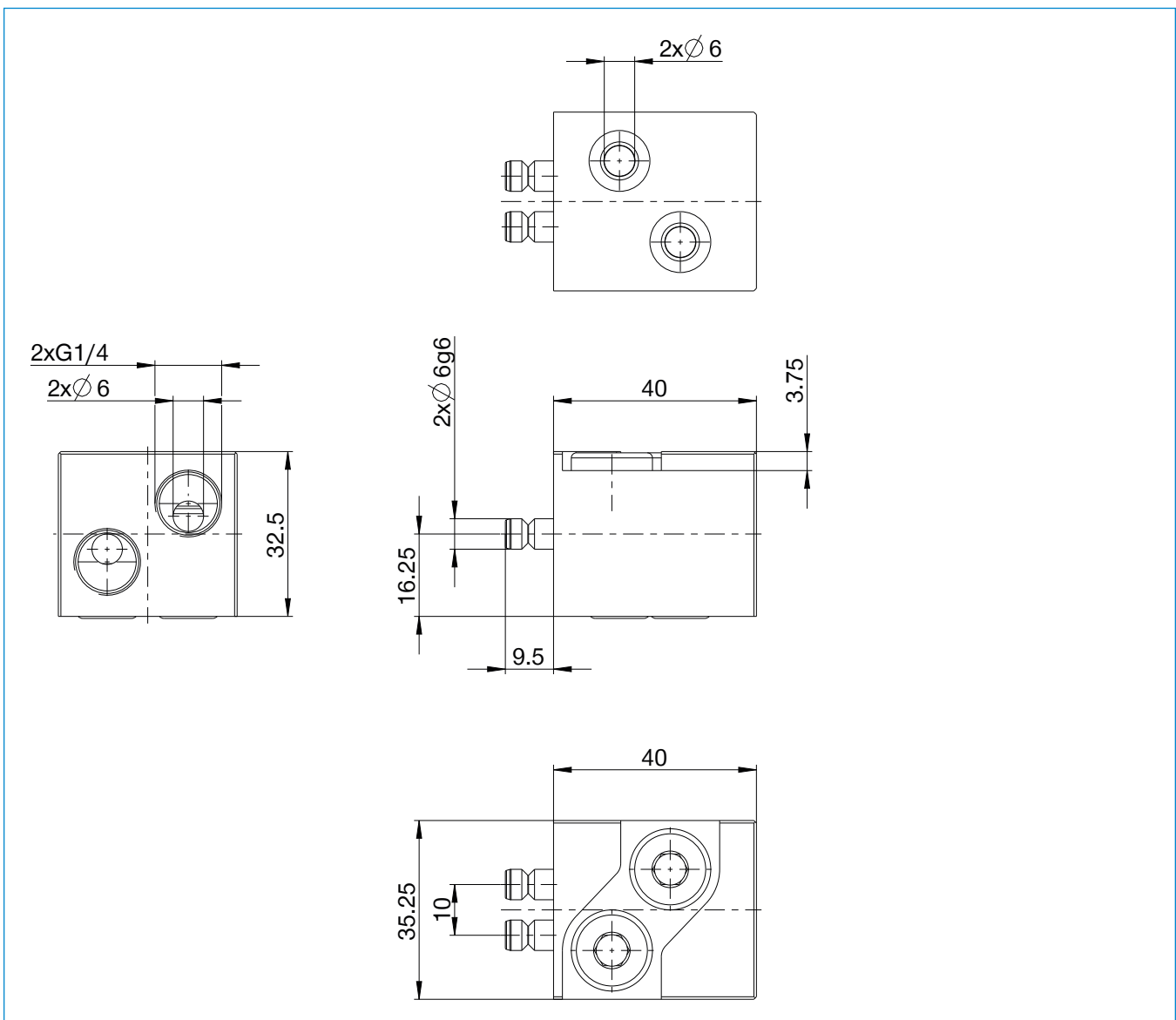


# ENERGY ELEMENT

## WER3000FPL02-03

► Technical Data	
<b>Order no.</b>	<b>WER3000FPL02-03</b>
Series	WER3000
Transmission mode	pneumatic
compatible with installation size	WWR100 / WWR125 / WWR160 / WWR1160 / WWR1200
compatible with	Fixed part
Number of fluid couplings	2
Fixing thread	G1/4"
Operating pressure [bar]	-0.6 ... 10
Protection to IEC 60529	IP54*
Weight [kg]	0.13

\*only in coupled state

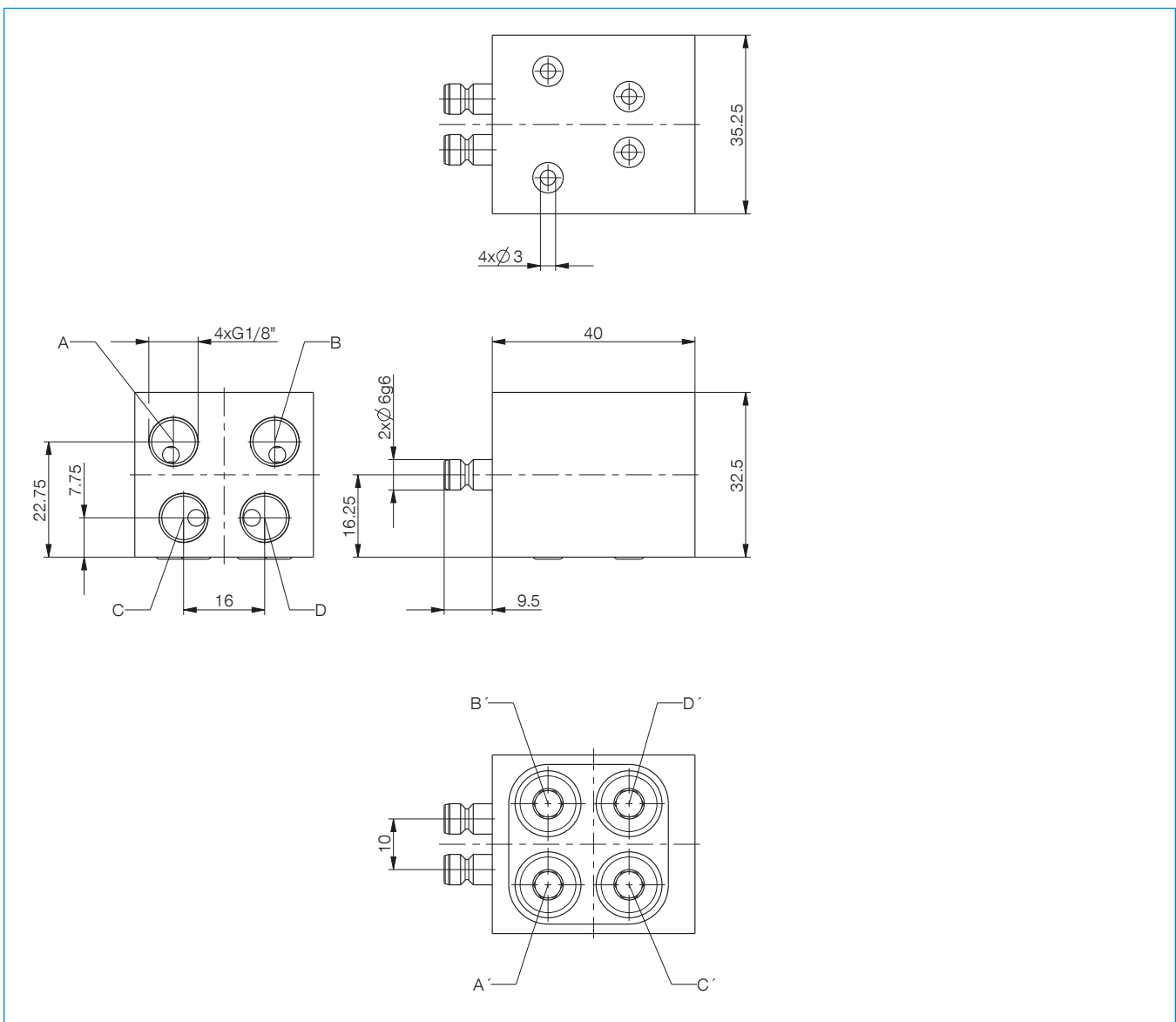


# ENERGY ELEMENT

## WER3000FPL04-06-A

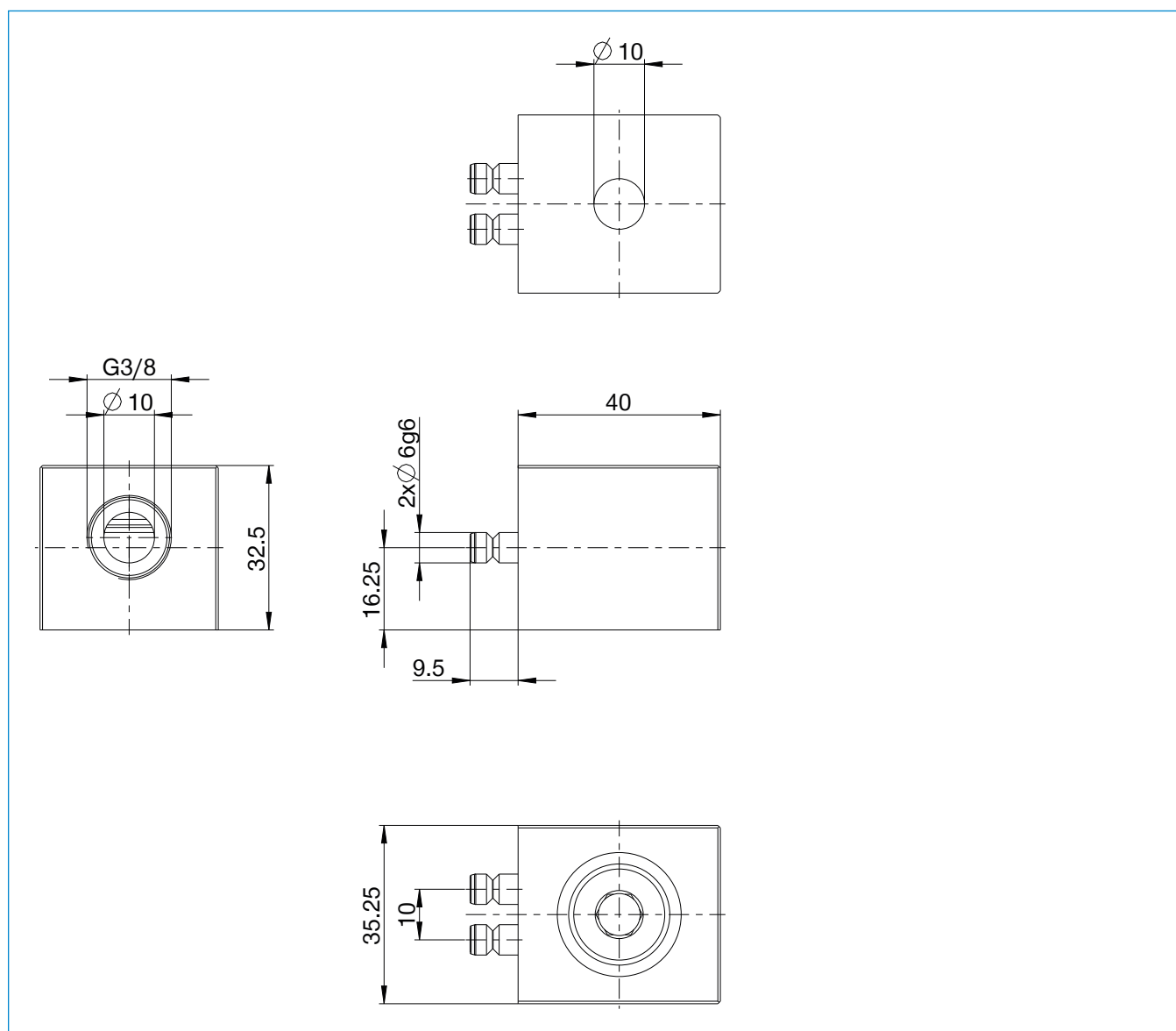
Order no.	Technical Data
Series	WER3000
Transmission mode	pneumatic
compatible with installation size	WWR100 / WWR125 / WWR160 / WWR1160 / WWR1200
compatible with	Fixed part
Number of fluid couplings	4
Fixing thread	G1/8"
Operating pressure [bar]	-0.6 ... 10
Protection to IEC 60529	IP54*
Weight [kg]	0.13

\*only in coupled state



Order no.	▶ Technical Data
Series	WER3000
Transmission mode	pneumatic
compatible with installation size	WWR100 / WWR125 / WWR160 / WWR1160 / WWR1200
compatible with	Lot part
Number of fluid couplings	1
Fixing thread	G3/8"
Operating pressure [bar]	-0.6 ... 10
Protection to IEC 60529	IP54*
Weight [kg]	0.13

\*only in coupled state

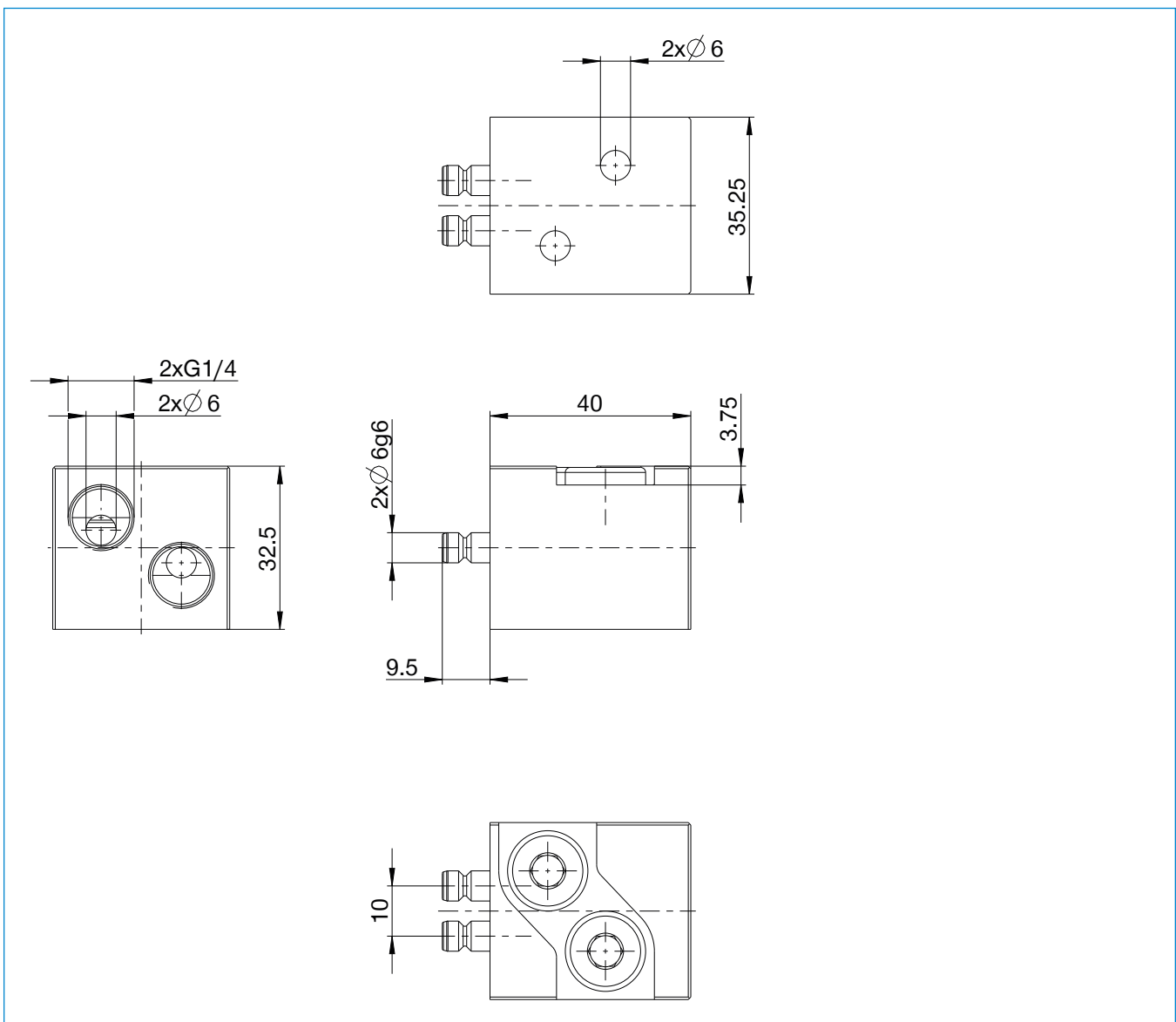


# ENERGY ELEMENT

## WER3000LPL02-03

Order no.	Technical Data
Series	WER3000
Transmission mode	pneumatic
compatible with installation size	WWR100 / WWR125 / WWR160 / WWR1160 / WWR1200
compatible with	Lot part
Number of fluid couplings	2
Fixing thread	G1/4"
Operating pressure [bar]	-0.6 ... 10
Protection to IEC 60529	IP54*
Weight [kg]	0.13

\*only in coupled state

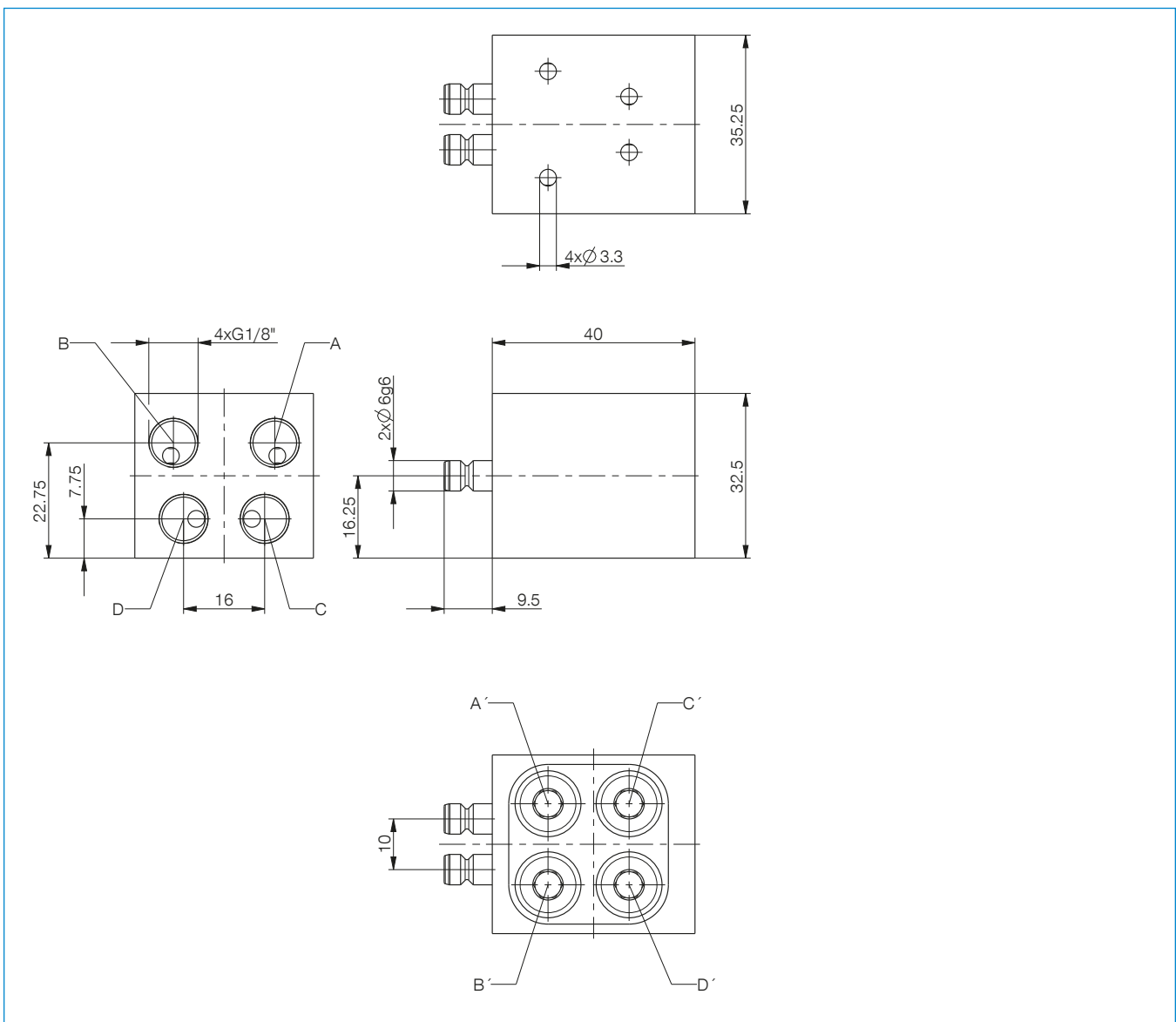


# ENERGY ELEMENT

## WER3000LPL04-06-A

Order no.	Technical Data
Series	WER3000
Transmission mode	pneumatic
compatible with installation size	WWR100 / WWR125 / WWR160 / WWR1160 / WWR1200
compatible with	Lot part
Number of fluid couplings	4
Fixing thread	G1/8"
Operating pressure [bar]	-0.6 ... 10
Protection to IEC 60529	IP54*
Weight [kg]	0.13

\*only in coupled state

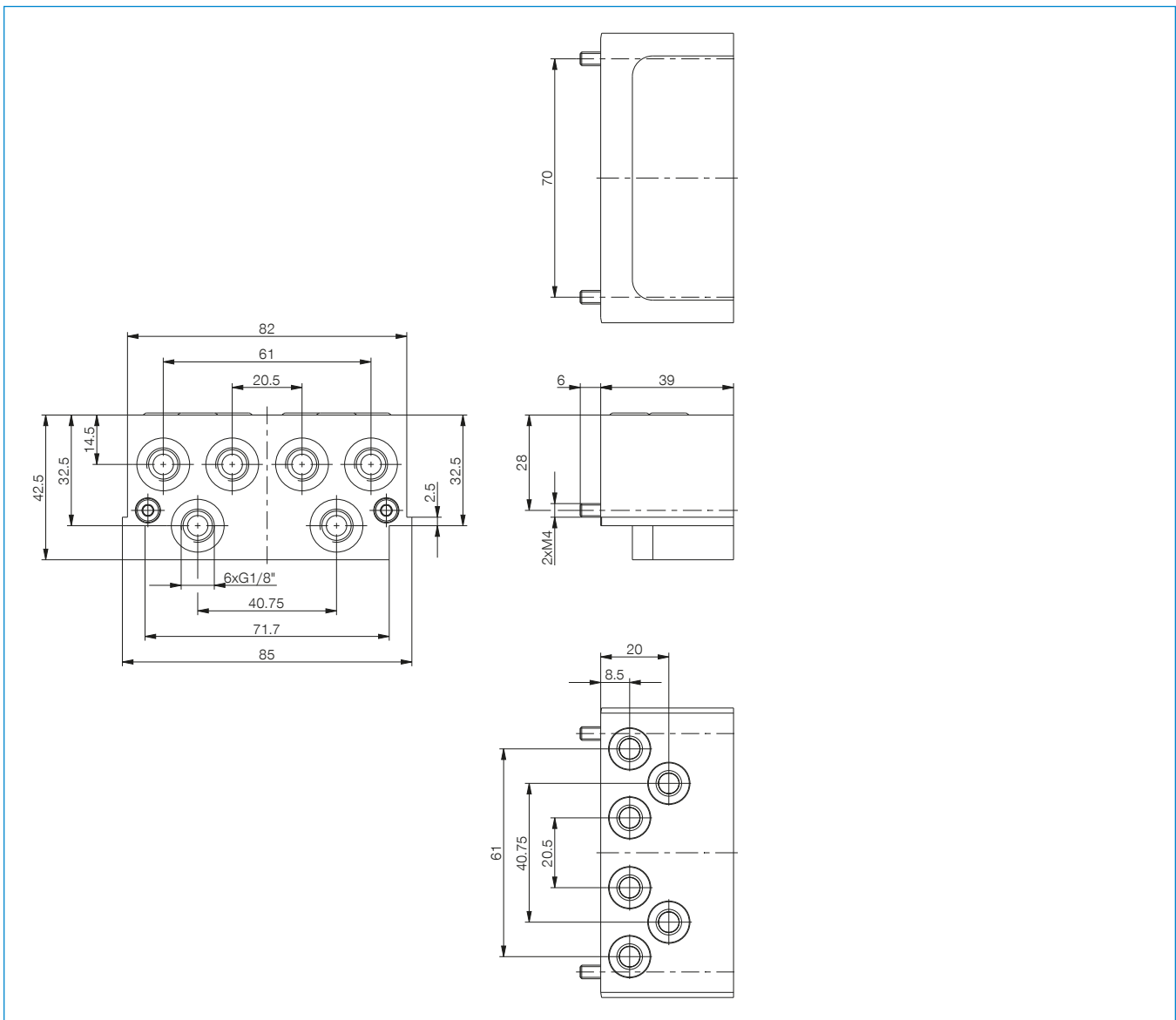


# ENERGY ELEMENT

## WER4000FPL06-06-A

Order no.	► Technical Data
Series	WER4000
Transmission mode	pneumatic
compatible with installation size	WWR1160 / WWR1200
compatible with	Fixed part
Number of fluid couplings	6
Fixing thread	G1/8"
Operating pressure [bar]	-0.6 ... 10
Protection to IEC 60529	IP54*
Weight [kg]	0.31

\*only in coupled state

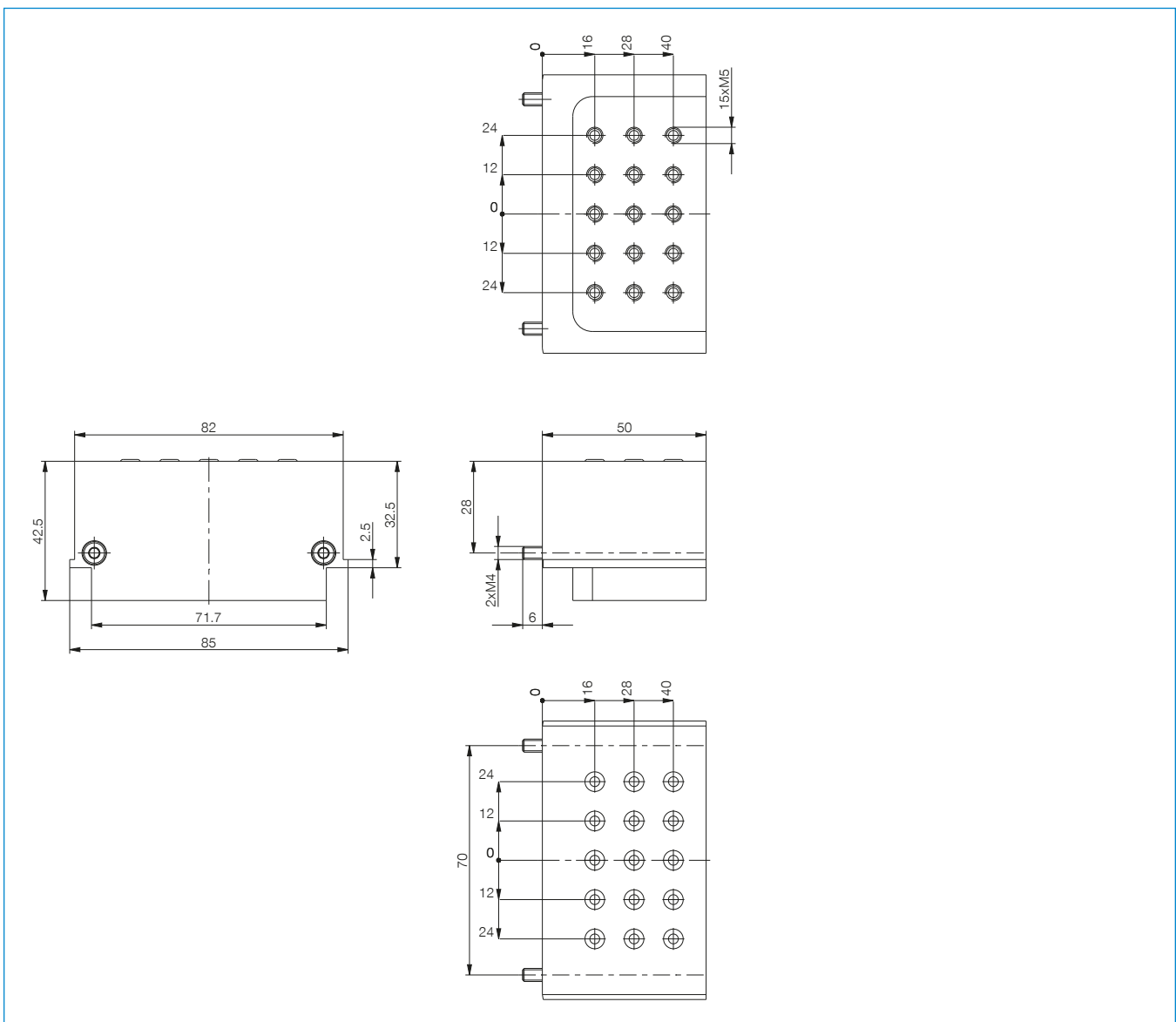


# ENERGY ELEMENT

## WER4000FPL15-12-A

Order no.	Technical Data
Series	WER4000
Transmission mode	pneumatic
compatible with installation size	WWR1160 / WWR1200
compatible with	Fixed part
Number of fluid couplings	15
Fixing thread	M5
Operating pressure [bar]	-0.6 ... 10
Protection to IEC 60529	IP54*
Weight [kg]	0.42

\*only in coupled state



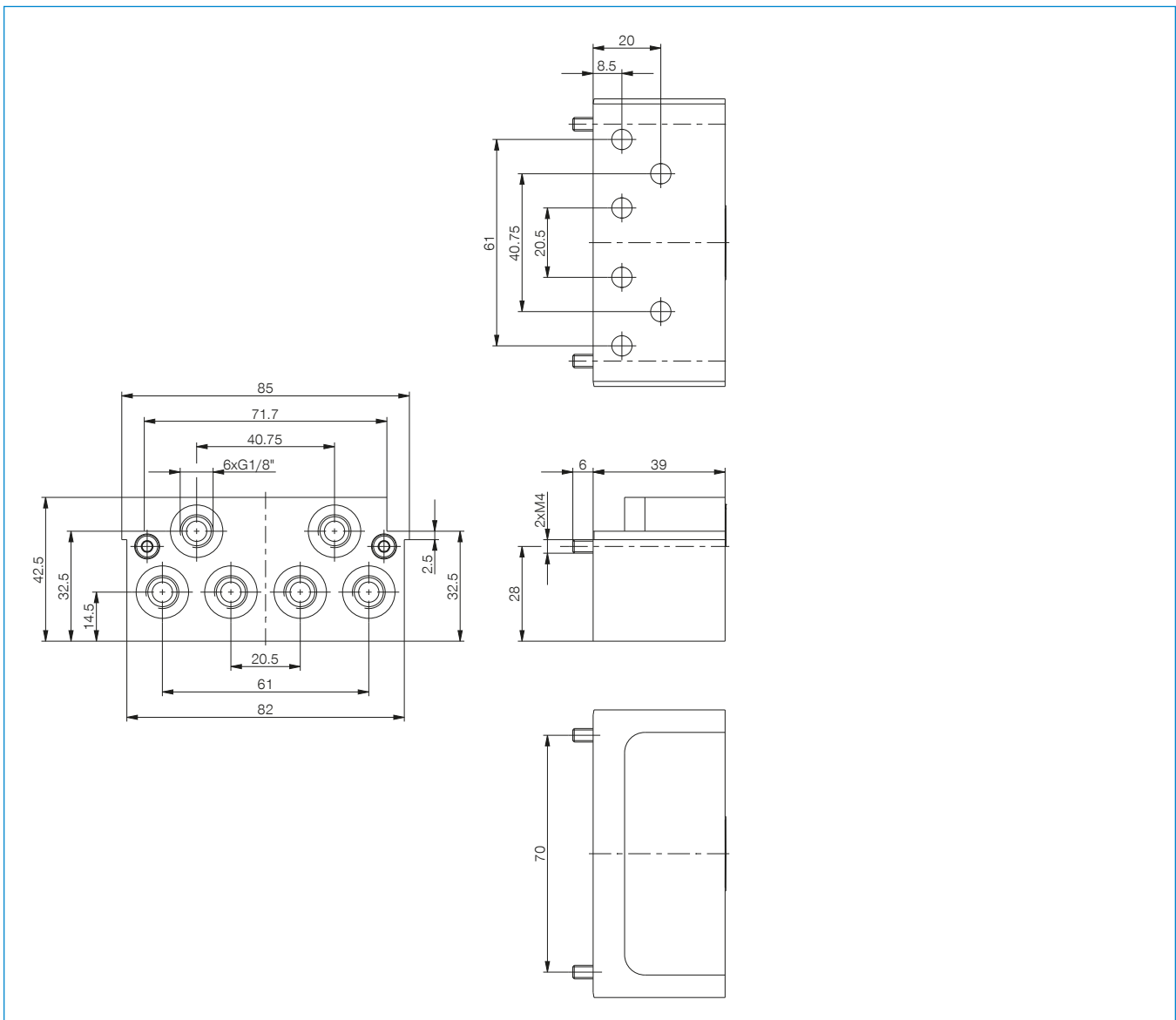


# ENERGY ELEMENT

## WER4000LPL06-06-A

Order no.	Technical Data
Series	WER4000
Transmission mode	pneumatic
compatible with installation size	WWR1160 / WWR1200
compatible with	Lot part
Number of fluid couplings	6
Fixing thread	G1/8"
Operating pressure [bar]	-0.6 ... 10
Protection to IEC 60529	IP54*
Weight [kg]	0.32

\*only in coupled state



# ENERGY ELEMENT

## WER4000LPL15-12-A

Order no.	Technical Data
Series	WER4000
Transmission mode	pneumatic
compatible with installation size	WWR1160 / WWR1200
compatible with	Lot part
Number of fluid couplings	15
Fixing thread	M5
Operating pressure [bar]	-0.6 ... 10
Protection to IEC 60529	IP54*
Weight [kg]	0.43

\*only in coupled state

