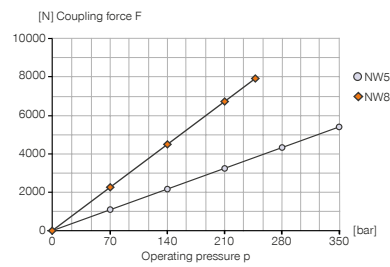


ENERGY ELEMENT

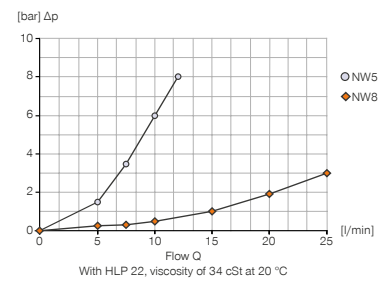
WER3000FFL01-03-A

| ► Technical Data | |
|-----------------------------------|--------------------------|
| Order no. | WER3000FFL01-03-A |
| Series | WER3000 |
| Transmission mode | - |
| compatible with installation size | - |
| compatible with | - |
| Number of fluid couplings | - |
| Fixing thread | - |
| Operating pressure max. [bar] | - |
| Operating pressure max. [bar] | - |
| Nominal diameter | - |
| Flow per connector max. [l/min] | - |
| Protection to IEC 60529 | - |
| Weight [kg] | - |

► Coupling force per fluid coupling



► Flow

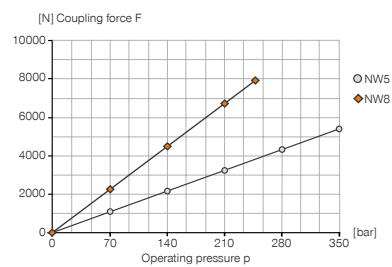


ENERGY ELEMENT

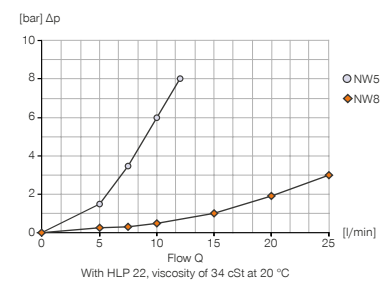
WER3000LFL01-03-A

| ► Technical Data | |
|-----------------------------------|--------------------------|
| Order no. | WER3000LFL01-03-A |
| Series | WER3000 |
| Transmission mode | - |
| compatible with installation size | - |
| compatible with | - |
| Number of fluid couplings | - |
| Fixing thread | - |
| Operating pressure max. [bar] | - |
| Operating pressure max. [bar] | - |
| Nominal diameter | - |
| Flow per connector max. [l/min] | - |
| Protection to IEC 60529 | - |
| Weight [kg] | - |

► Coupling force per fluid coupling



► Flow



ENERGY ELEMENT

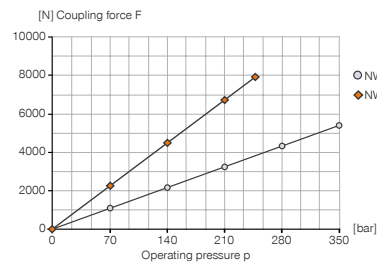
WER4000FFL01-13-A

| Order no. | WER4000FFL01-13-A |
|-------------------------------------|-------------------|
| Series | WER4000 |
| Transmission mode | fluidic |
| compatible with installation size * | WWR1160 / WWR1200 |
| compatible with | Fixed part |
| Number of fluid couplings | 1 |
| Fixing thread | G1/2" |
| Operating pressure max. [bar] | 250 |
| Operating pressure max. [bar] | 10 |
| Nominal diameter | 8 |
| Flow per connector max. [l/min] | 25 |
| Protection to IEC 60529 | IP54** |
| Weight [kg] | 0.52 |

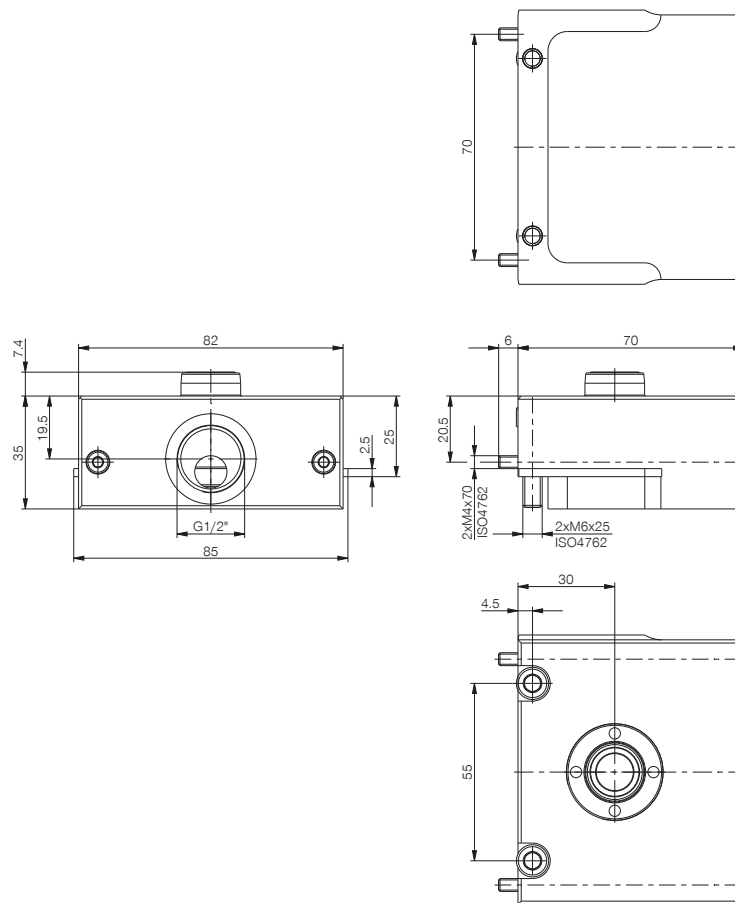
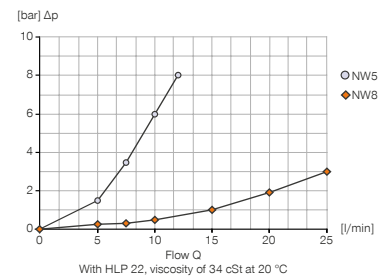
* hydraulic elements are only permitted for tool changers of installation size 100 and higher

** only in coupled state

Coupling force per fluid coupling



Flow



ENERGY ELEMENT

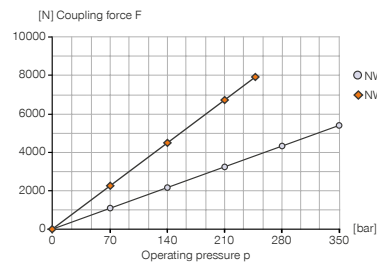
WER4000LFL02-13-A

| Order no. | WER4000FFL02-13-A |
|-------------------------------------|-------------------|
| Series | WER4000 |
| Transmission mode | fluidic |
| compatible with installation size * | WWR1160 / WWR1200 |
| compatible with | Fixed part |
| Number of fluid couplings | 2 |
| Fixing thread | G1/2" |
| Operating pressure max. [bar] | 250 |
| Operating pressure max. [bar] | 10 |
| Nominal diameter | 8 |
| Flow per connector max. [l/min] | 25 |
| Protection to IEC 60529 | IP54** |
| Weight [kg] | 0.69 |

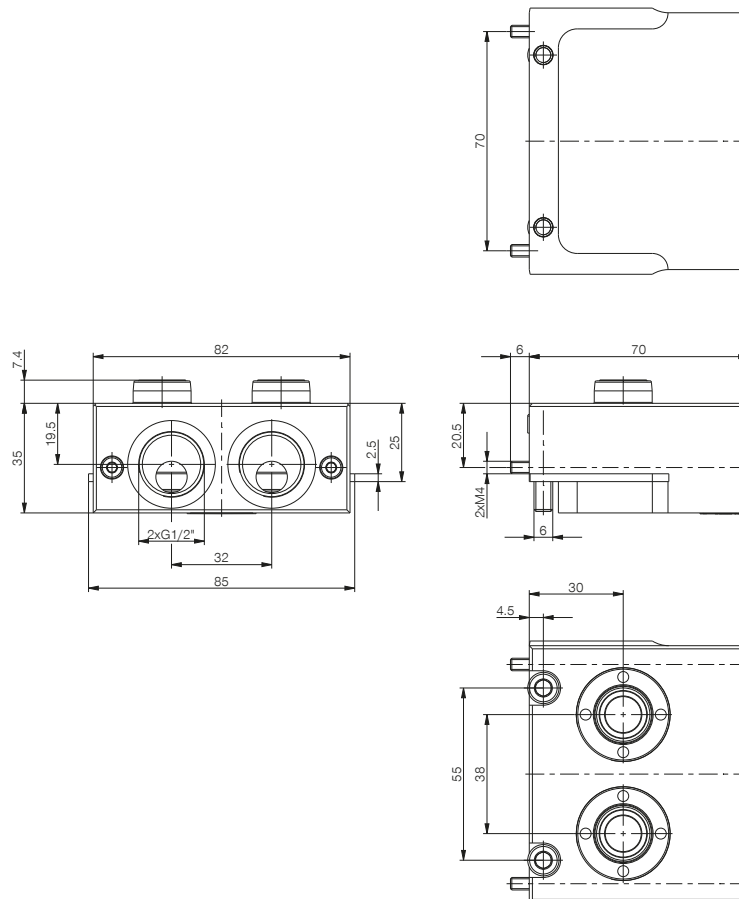
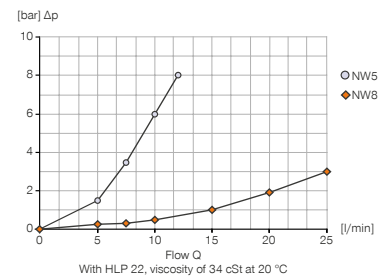
* hydraulic elements are only permitted for tool changers of installation size 100 and higher

** only in coupled state

► Coupling force per fluid coupling



► Flow



ENERGY ELEMENT

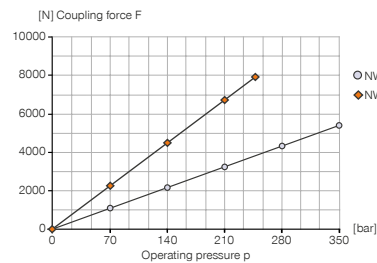
WER4000FFL04-13-A

| ► Technical Data | |
|-------------------------------------|--------------------------|
| Order no. | WER4000FFL04-13-A |
| Series | WER4000 |
| Transmission mode | fluidic |
| compatible with installation size * | WWR1160 / WWR1200 |
| compatible with | Fixed part |
| Number of fluid couplings | 4 |
| Fixing thread | G1/2" |
| Operating pressure max. [bar] | 250 |
| Operating pressure max. [bar] | 10 |
| Nominal diameter | 8 |
| Flow per connector max. [l/min] | 25 |
| Protection to IEC 60529 | IP54** |
| Weight [kg] | 1.4 |

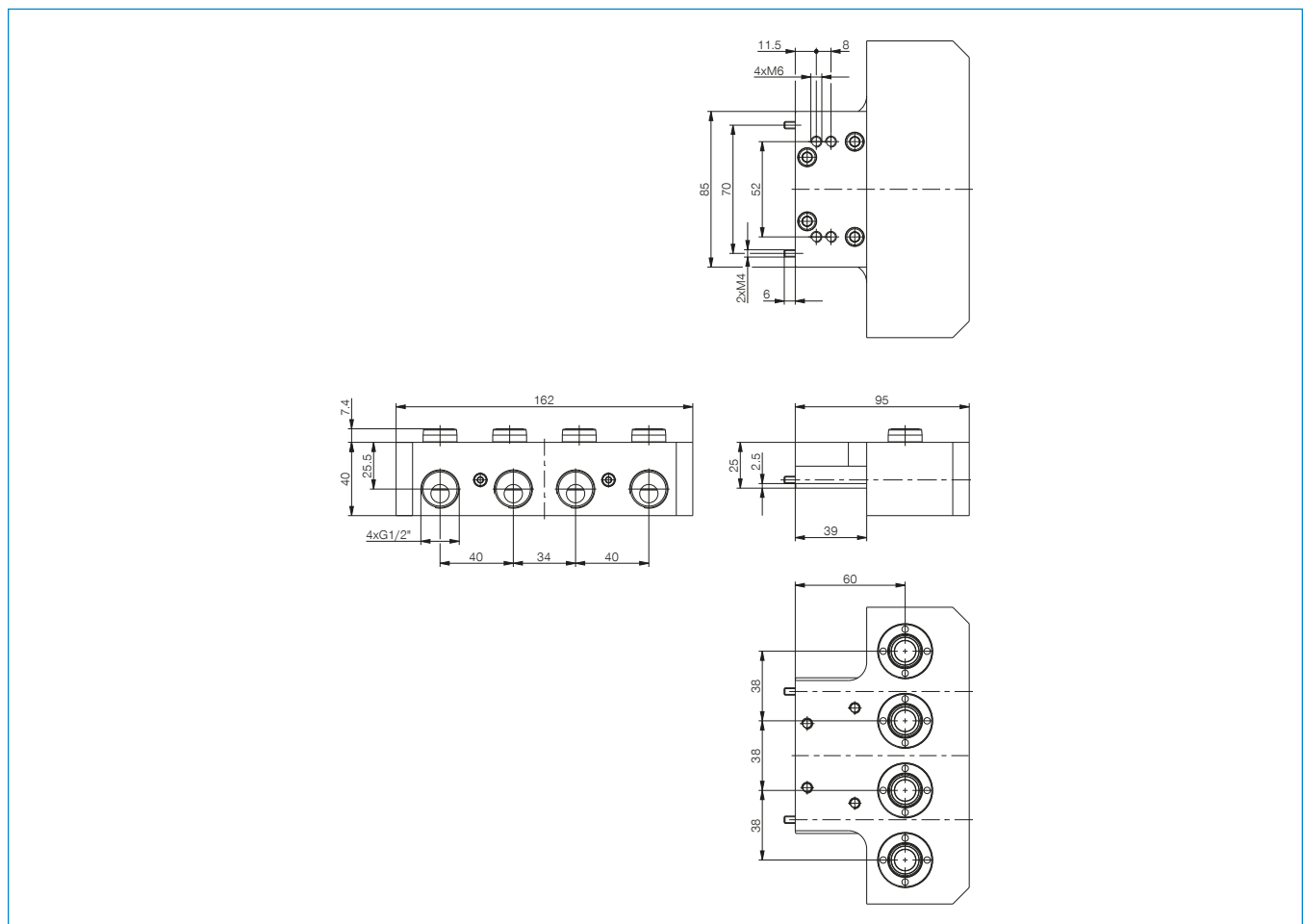
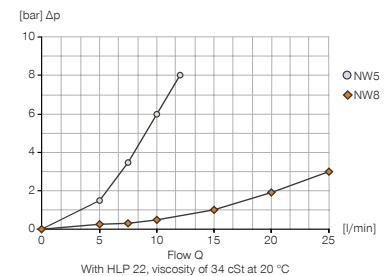
* hydraulic elements are only permitted for tool changers of installation size 100 and higher

** only in coupled state

► Coupling force per fluid coupling



► Flow



ENERGY ELEMENT

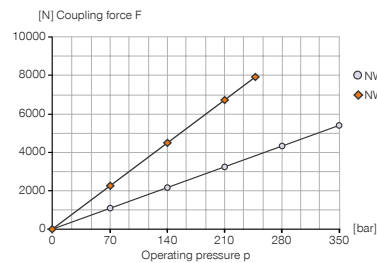
WER4000LFL01-13-A

| ► Technical Data | |
|-------------------------------------|--------------------------|
| Order no. | WER4000LFL01-13-A |
| Series | WER4000 |
| Transmission mode | fluidic |
| compatible with installation size * | WWR1160 / WWR1200 |
| compatible with | Lot part |
| Number of fluid couplings | 1 |
| Fixing thread | G1/2" |
| Operating pressure max. [bar] | 250 |
| Operating pressure max. [bar] | 10 |
| Nominal diameter | 8 |
| Flow per connector max. [l/min] | 25 |
| Protection to IEC 60529 | IP54** |
| Weight [kg] | 0.79 |

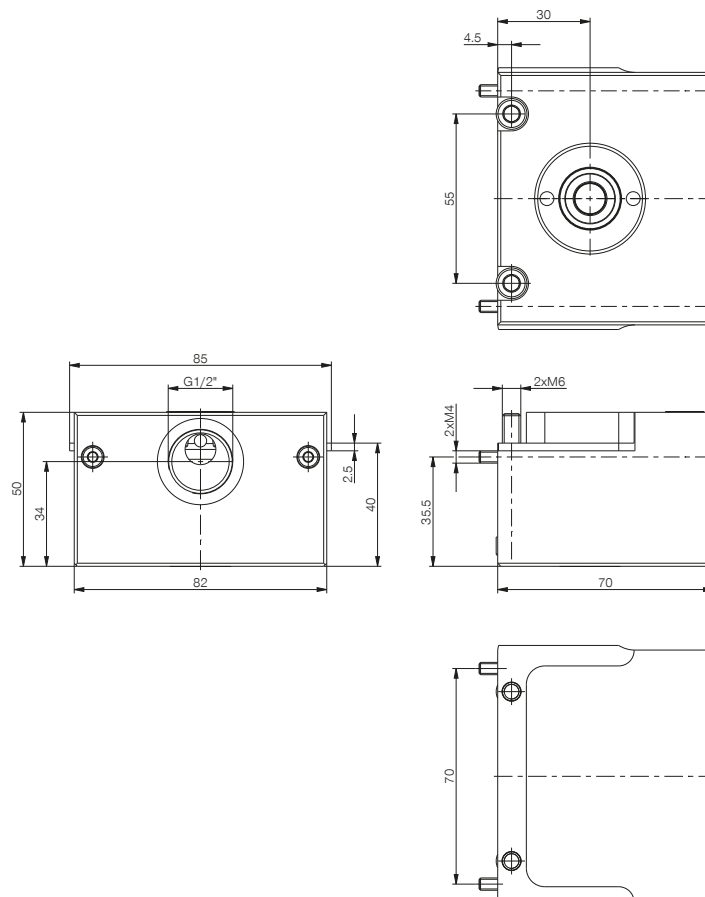
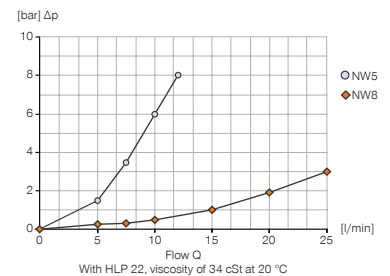
* hydraulic elements are only permitted for tool changers of installation size 100 and higher

** only in coupled state

► Coupling force per fluid coupling



► Flow



ENERGY ELEMENT

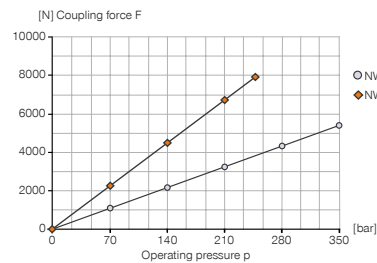
WER4000LFL02-13-A

| Order no. | WER4000LFL02-13-A |
|-------------------------------------|-------------------|
| Series | WER4000 |
| Transmission mode | fluidic |
| compatible with installation size * | WWR1160 / WWR1200 |
| compatible with | Lot part |
| Number of fluid couplings | 2 |
| Fixing thread | G1/2" |
| Operating pressure max. [bar] | 250 |
| Operating pressure max. [bar] | 10 |
| Nominal diameter | 8 |
| Flow per connector max. [l/min] | 25 |
| Protection to IEC 60529 | IP54** |
| Weight [kg] | 1 |

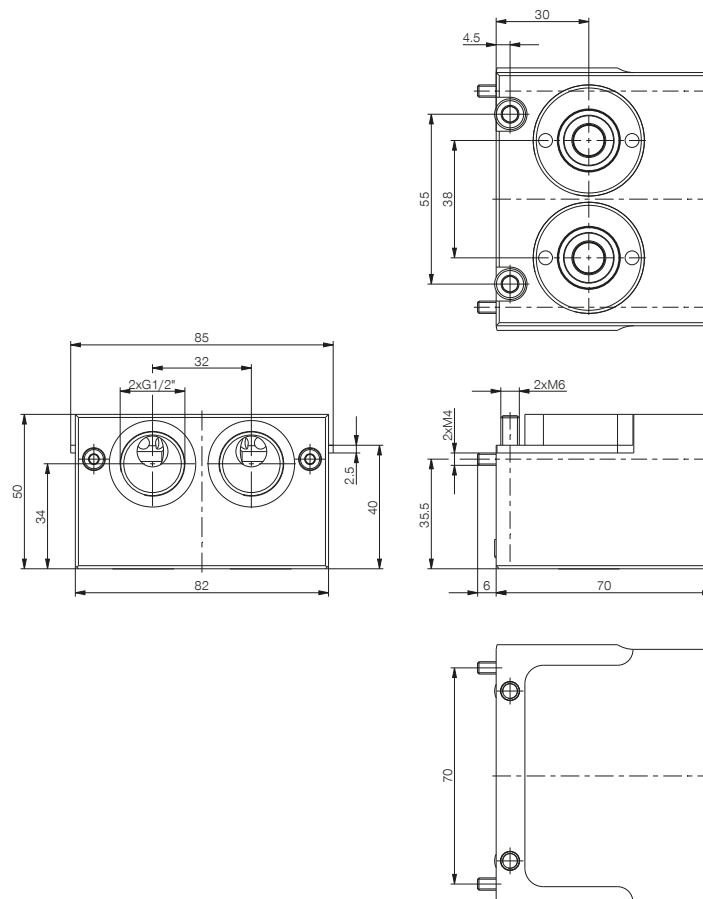
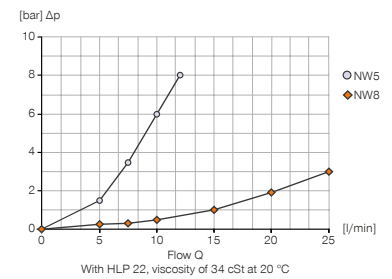
* hydraulic elements are only permitted for tool changers of installation size 100 and higher

** only in coupled state

Coupling force per fluid coupling



Flow



ENERGY ELEMENT

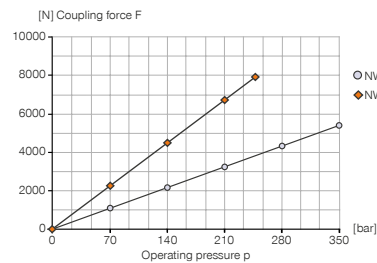
WER4000LFL04-13-A

| Order no. | WER4000LFL04-13-A |
|-------------------------------------|-------------------|
| Series | WER4000 |
| Transmission mode | fluidic |
| compatible with installation size * | WWR1160 / WWR1200 |
| compatible with | Lot part |
| Number of fluid couplings | 4 |
| Fixing thread | G1/2" |
| Operating pressure max. [bar] | 250 |
| Operating pressure max. [bar] | 10 |
| Nominal diameter | 8 |
| Flow per connector max. [l/min] | 25 |
| Protection to IEC 60529 | IP54** |
| Weight [kg] | 2.1 |

* hydraulic elements are only permitted for tool changers of installation size 100 and higher

** only in coupled state

Coupling force per fluid coupling



Flow

