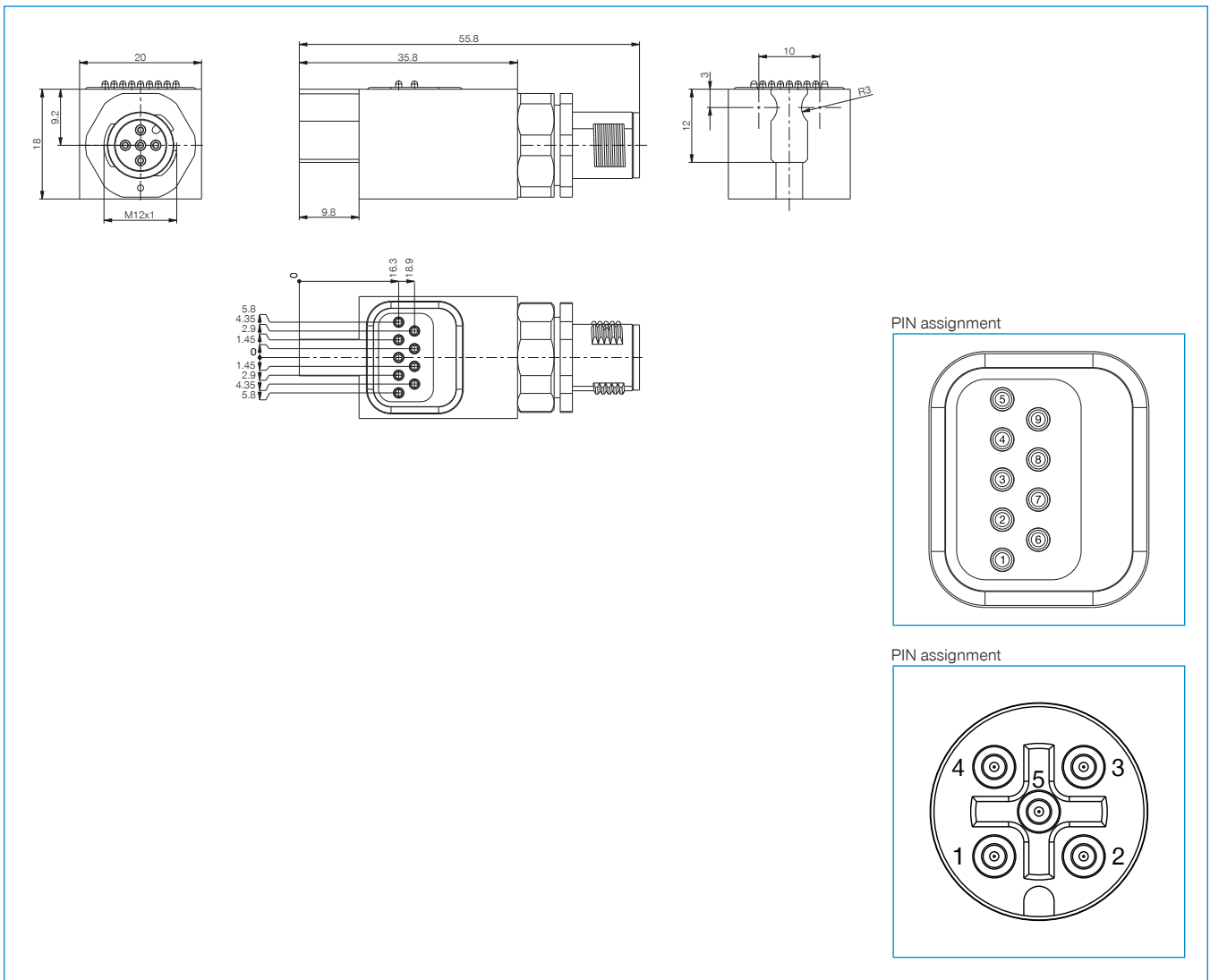


ENERGY ELEMENT

WER1000FIL01-00-B

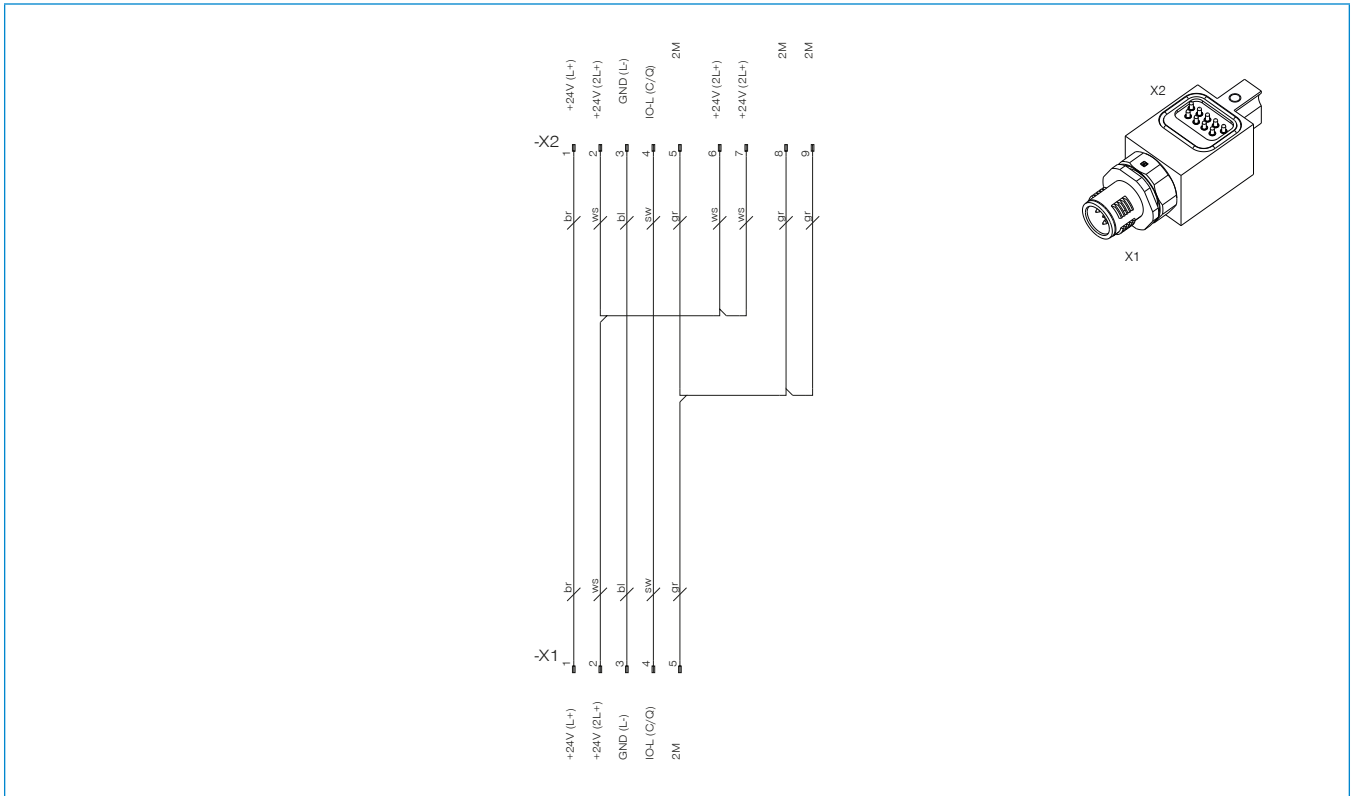
Order no.	► Technical Data
Series	WER1000
Transmission mode	electrical
Data transmission	IO-Link
compatible with installation size	HWR2031 / HWR2040 / HWR2050 / HWR63-B / HWR80-B / WWR40-B / WWR50-B / WWR63-B / WWR80-B
compatible with	Fixed part
No. of contacts	9
Connection type	Spring contacts
Coding	A
Fixing thread	M12
Connection type	Male
Connection type	Round plug
Joining force [N]	-
Release force [N]	-
Protection to IEC 60529	IP54 *
Weight [kg]	0.028

* only in coupled state



ENERGY ELEMENT

WER1000FIL01-00-B

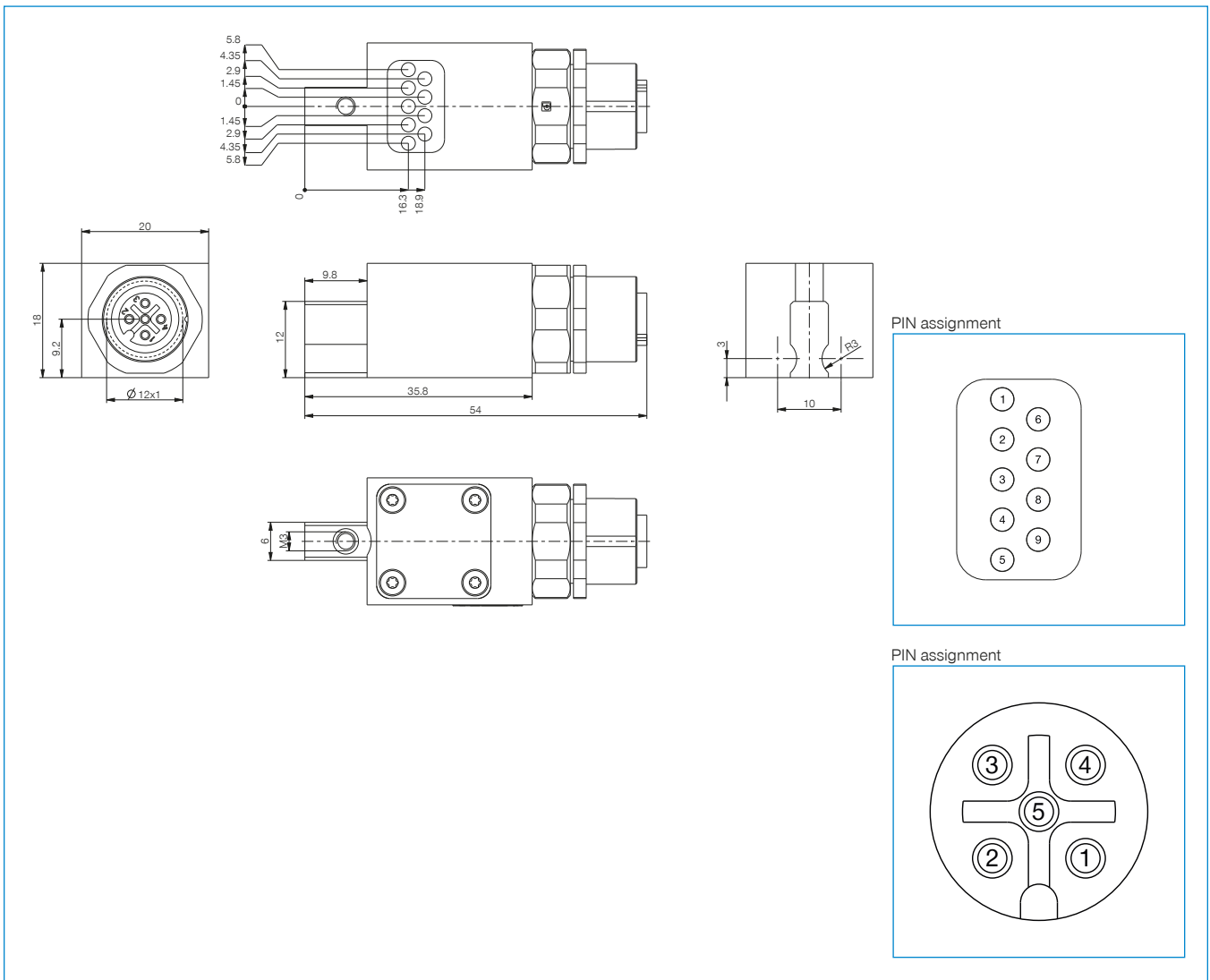


ENERGY ELEMENT

WER1000LIL01-00-B

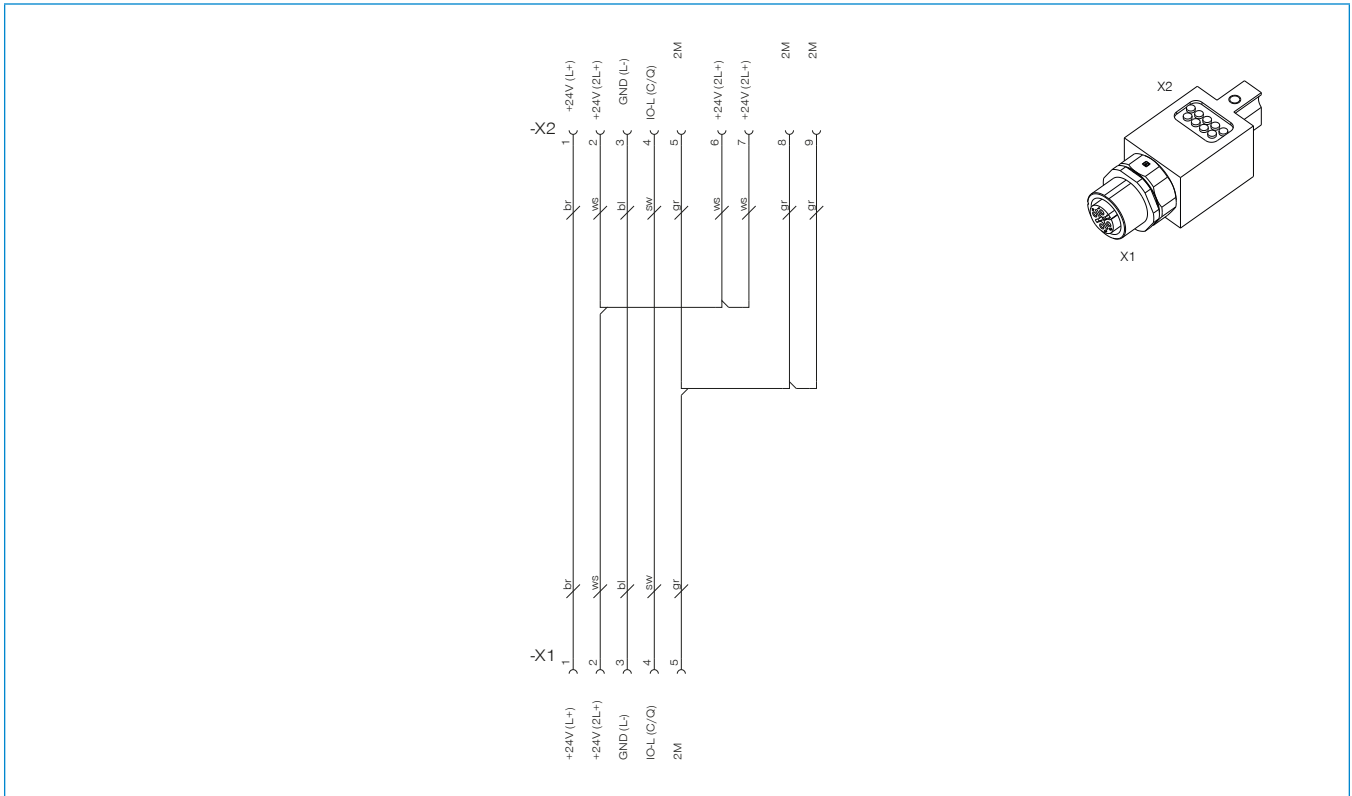
Order no.	► Technical Data
Series	WER1000
Transmission mode	electrical
Data transmission	IO-Link
compatible with installation size	HWR2031 / HWR2040 / HWR2050 / HWR63-B / HWR80-B / WWR40-B / WWR50-B / WWR63-B / WWR80-B
compatible with	Lot part
No. of contacts	9
Connection type	Spring contacts
Coding	A
Fixing thread	M12
Connection type	Socket
Connection type	Round plug
Joining force [N]	-
Release force [N]	-
Protection to IEC 60529	IP54 *
Weight [kg]	0.029

* only in coupled state



ENERGY ELEMENT

WER1000LIL01-00-B

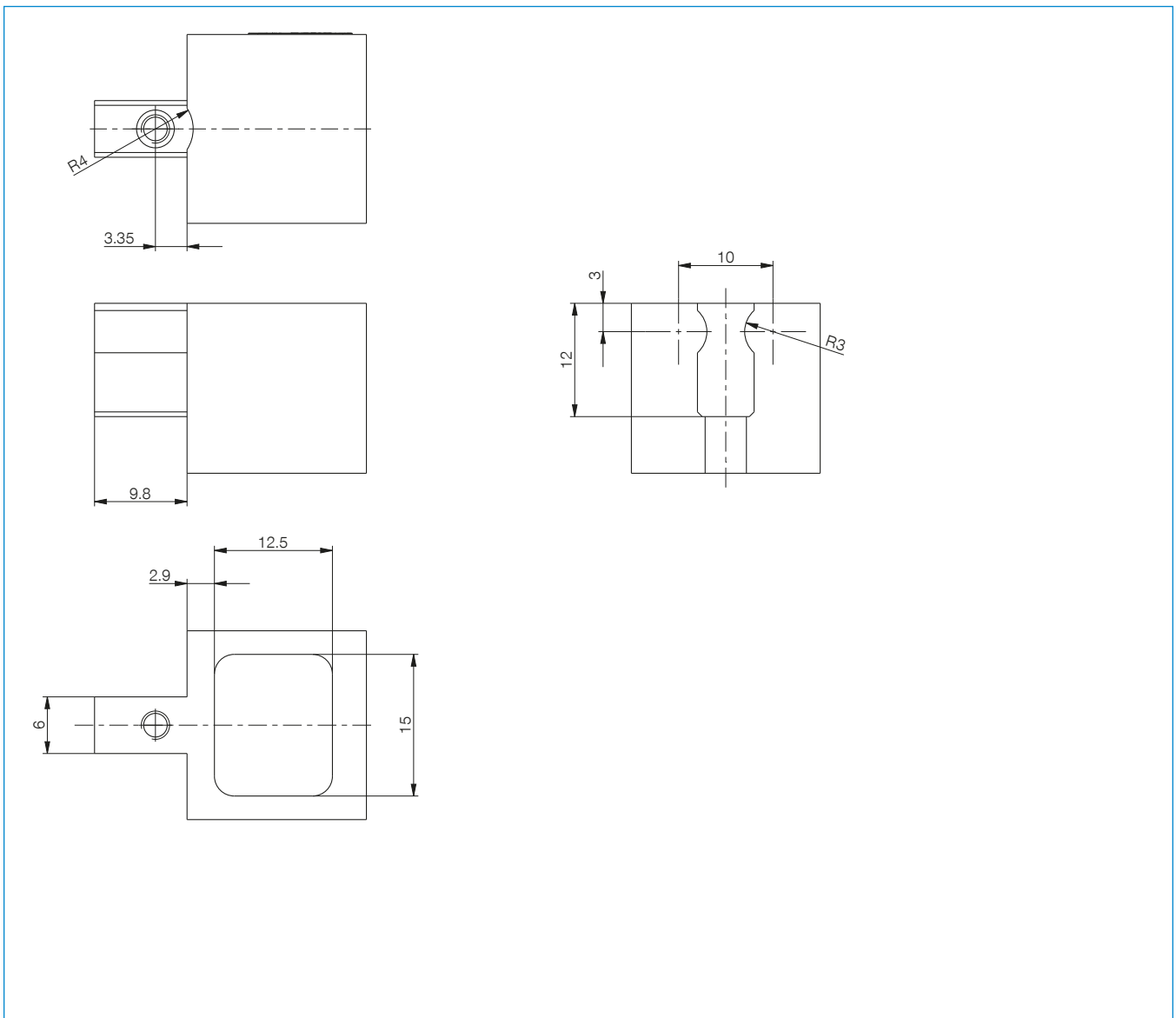


ENERGY ELEMENT

WER1000LLN00-00-B

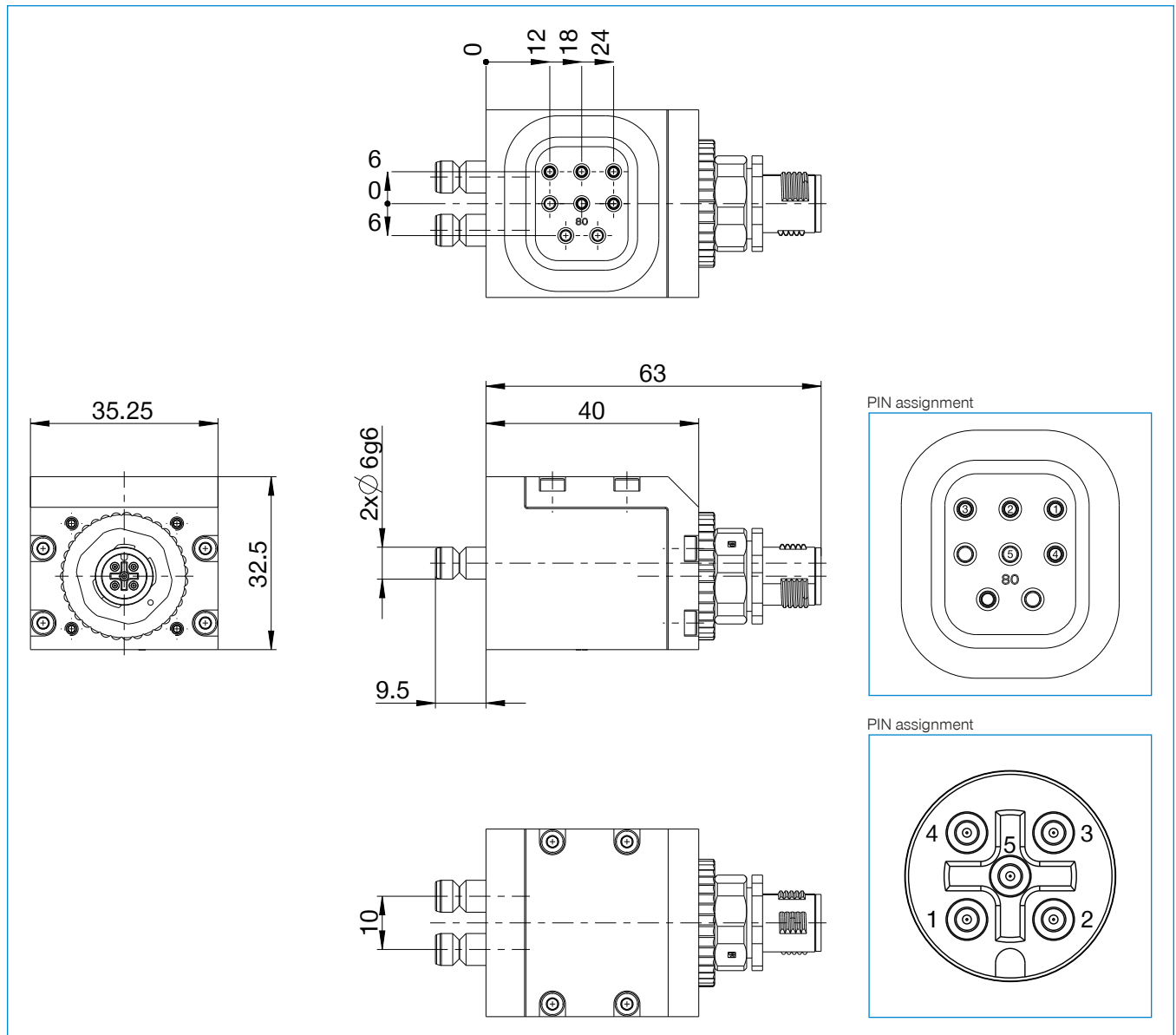
Order no.	WER1000LLN00-00-B
Series	WER1000
Transmission mode	without
Function	Protection for the fixed part
compatible with installation size	HWR2031 / HWR2040 / HWR2050 / HWR63-B / HWR80-B / WWR40-B / WWR50-B / WWR63-B / WWR80-B
compatible with	Lot part
Protection to IEC 60529	IP54*
Weight [kg]	0.01

*only in coupled state



Order no.	► Technical Data
Series	WER3000
Transmission mode	electrical
Data transmission	IO-Link
compatible with installation size	WWR100 / WWR125 / WWR160 / WWR1160 / WWR1200
compatible with	Fixed part
No. of contacts	5
Connection type	Plug-in Connector
Coding	A
Fixing thread	M12
Connection type	Male
Connection type	Round plug
Joining force [N]	40
Release force [N]	40
Protection to IEC 60529	IP54*
Weight [kg]	0.115

* only in coupled state

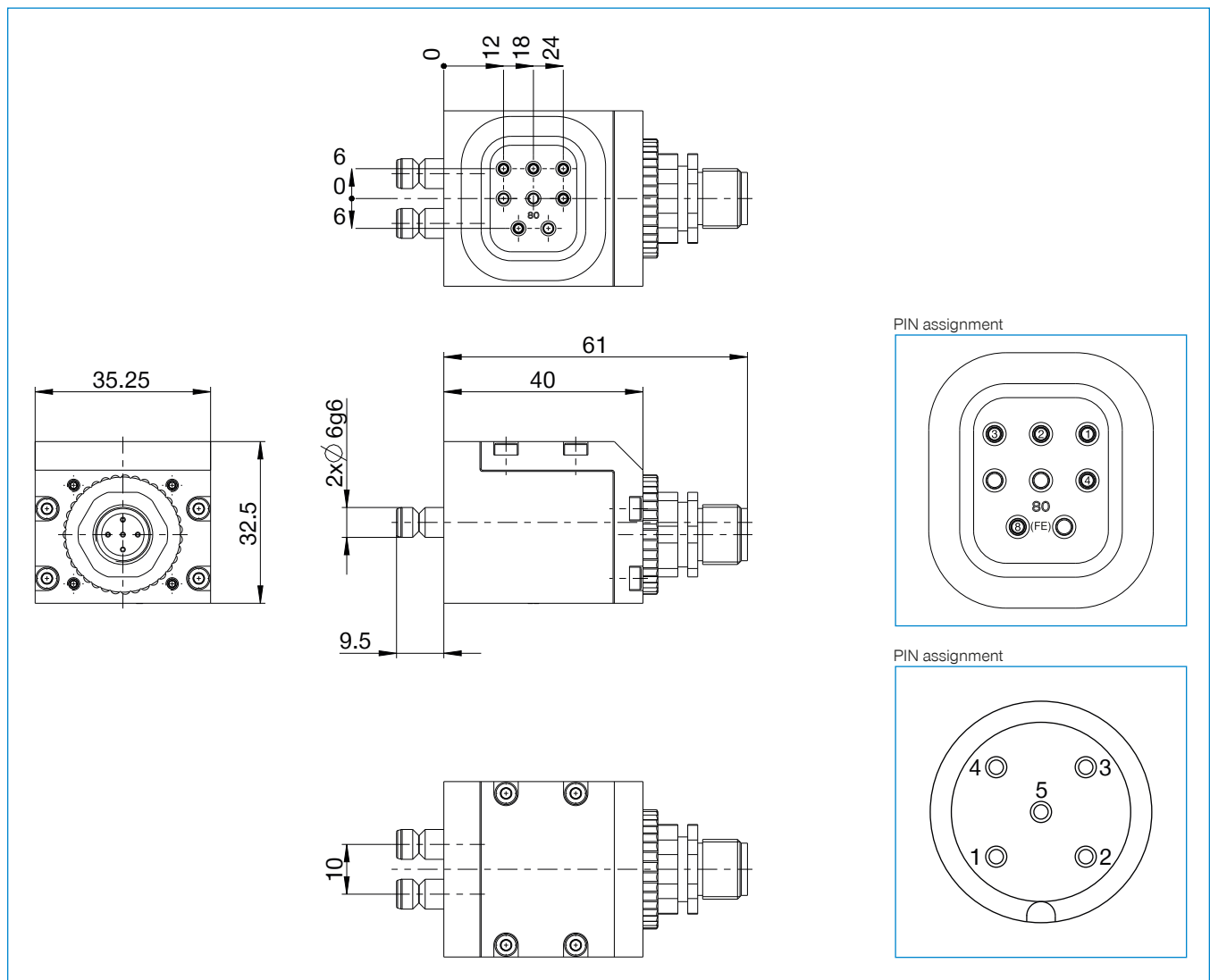


ENERGY ELEMENT

WER3000FPB01-00

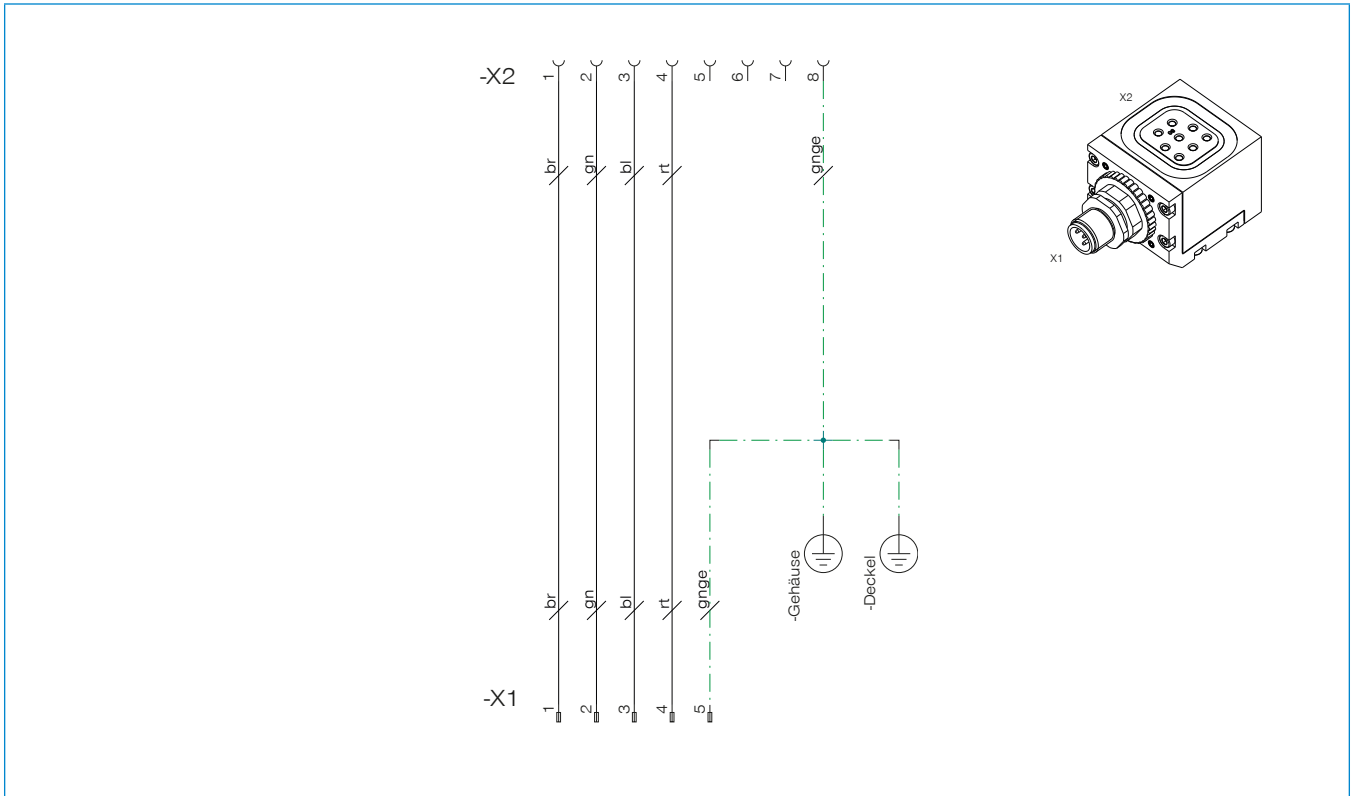
Order no.	WER3000FPB01-00
Series	WER3000
Transmission mode	Bus transmitter
Data transmission	Profibus
compatible with installation size	WWR100 / WWR125 / WWR160 / WWR1160 / WWR1200
compatible with	Fixed part
No. of contacts	5
Connection type	Plug-in Connector
Coding	B
Connection category	-
Data rate	12
Fixing thread	M12
Connection type	Male
Connection type	Round plug
Joining force [N]	40
Release force [N]	40
Protection to IEC 60529	IP54*
Weight [kg]	0.14

*only in coupled state



ENERGY ELEMENT

WER3000FPB01-00

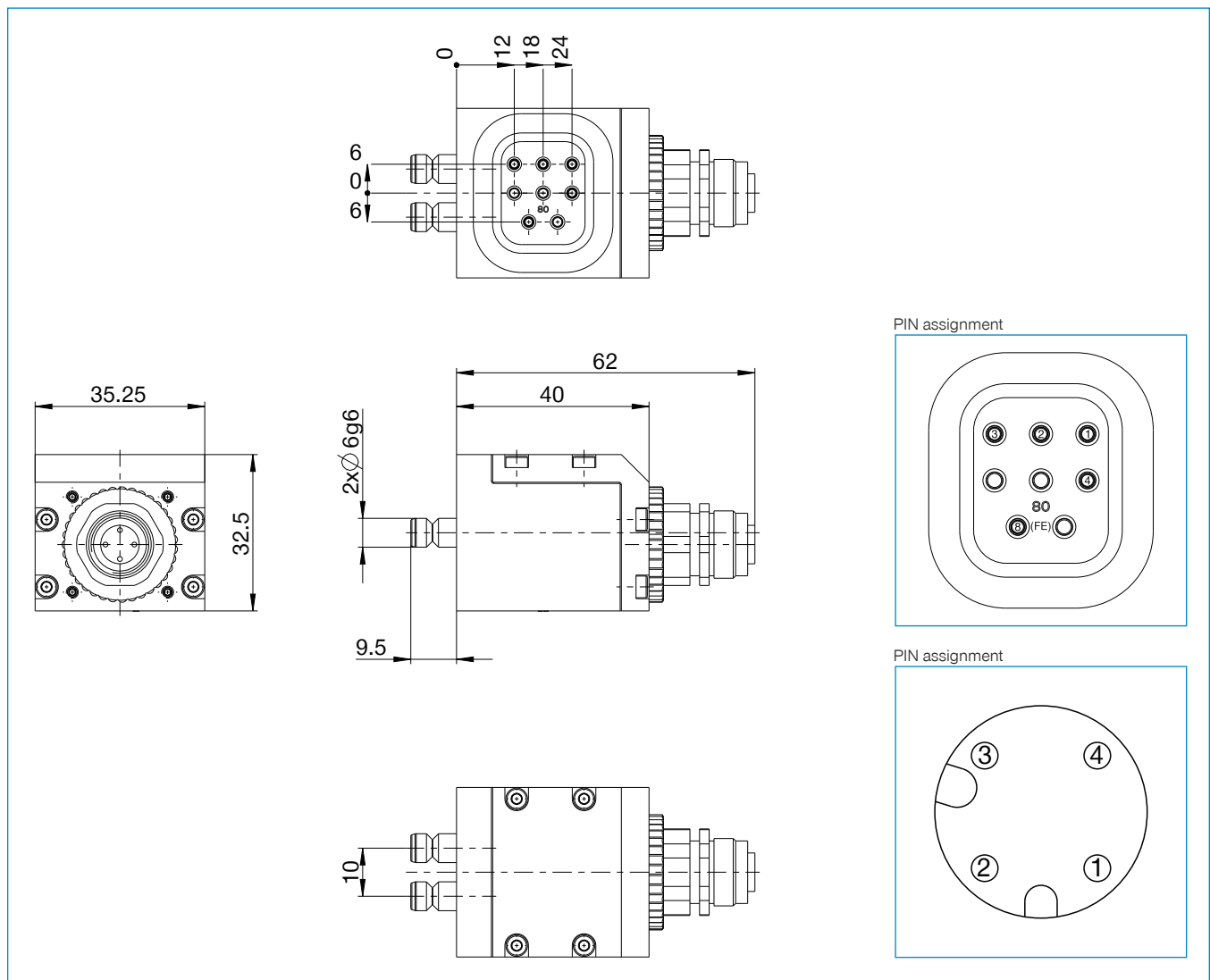


ENERGY ELEMENT

WER3000FPN01-00

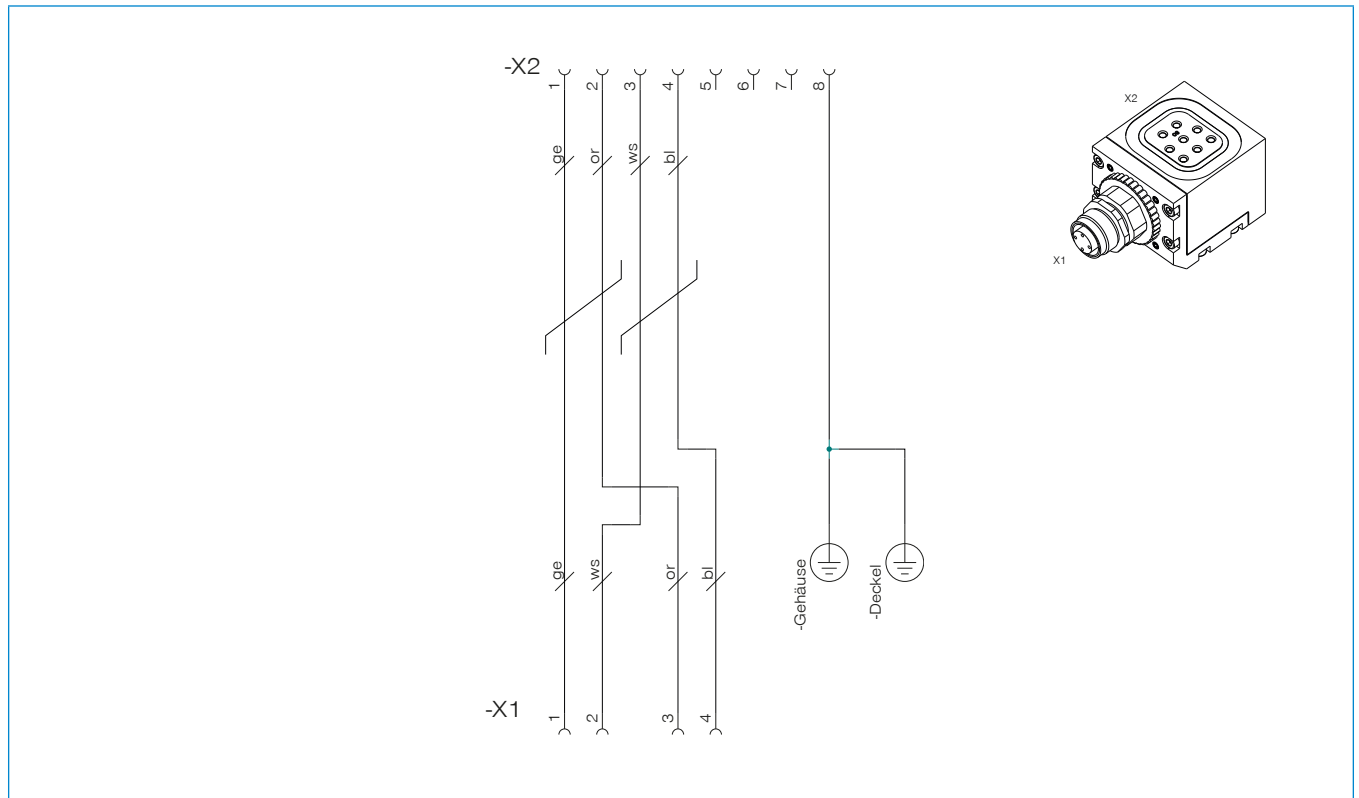
Order no.	WER3000FPN01-00
Series	WER3000
Transmission mode	Bus transmitter
Data transmission	Profinet/Industrial Ethernet
compatible with installation size	WWR100 / WWR125 / WWR160 / WWR1160 / WWR1200
compatible with	Fixed part
No. of contacts	4
Connection type	Plug-in Connector
Coding	D
Connection category	CAT5
Data rate	100
Fixing thread	M12
Connection type	Socket
Connection type	Round plug
Joining force [N]	40
Release force [N]	40
Protection to IEC 60529	IP54*
Weight [kg]	0.12

*only in coupled state



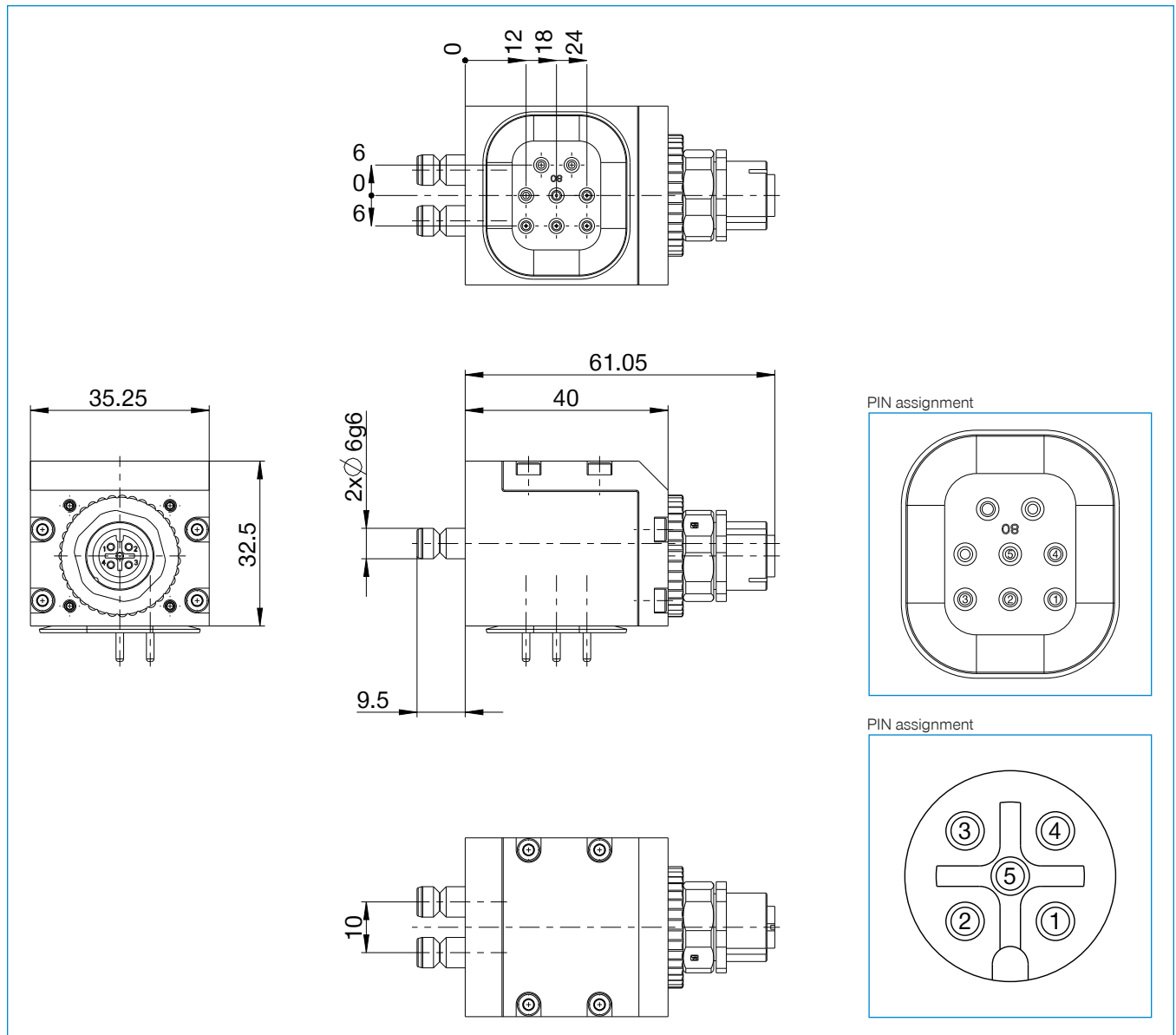
ENERGY ELEMENT

WER3000FPN01-00



Order no.	► Technical Data
Series	WER3000
Transmission mode	electrical
Data transmission	IO-Link
compatible with installation size	WWR100 / WWR125 / WWR160 / WWR1160 / WWR1200
compatible with	Lot part
No. of contacts	5
Connection type	Plug-in Connector
Coding	A
Fixing thread	M12
Connection type	Socket
Connection type	Round plug
Joining force [N]	40
Release force [N]	40
Protection to IEC 60529	IP54*
Weight [kg]	0.115

* only in coupled state

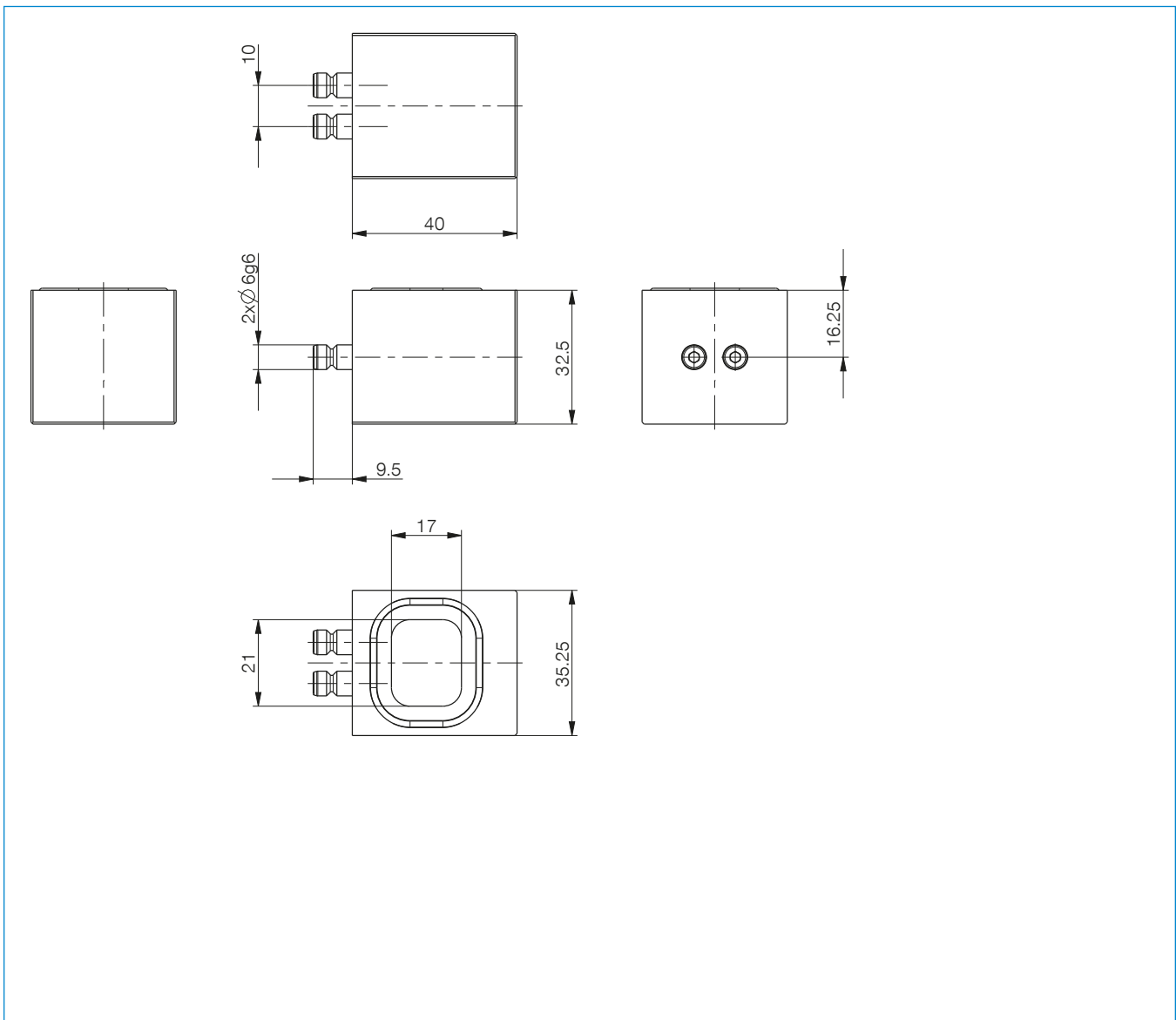


ENERGY ELEMENT

WER3000LLN00-00-A

Order no.	Technical Data
Series	WER3000
Transmission mode	without
Function	Protection for the fixed part
compatible with installation size	WWR100 / WWR125 / WWR160 / WWR1160 / WWR1200
compatible with	Lot part
Protection to IEC 60529	IP54*
Weight [kg]	0.13

*only in coupled state

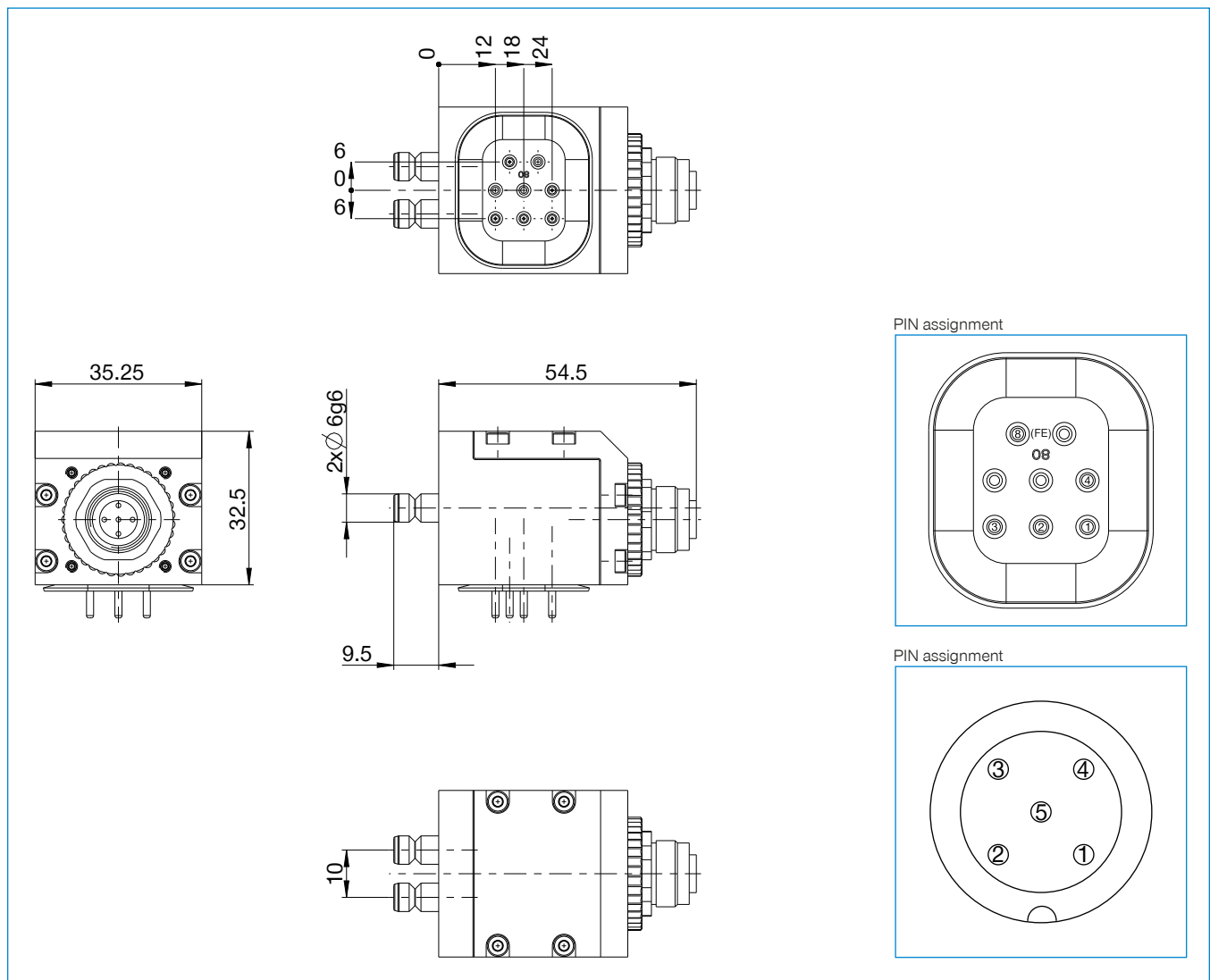


ENERGY ELEMENT

WER3000LPB01-00

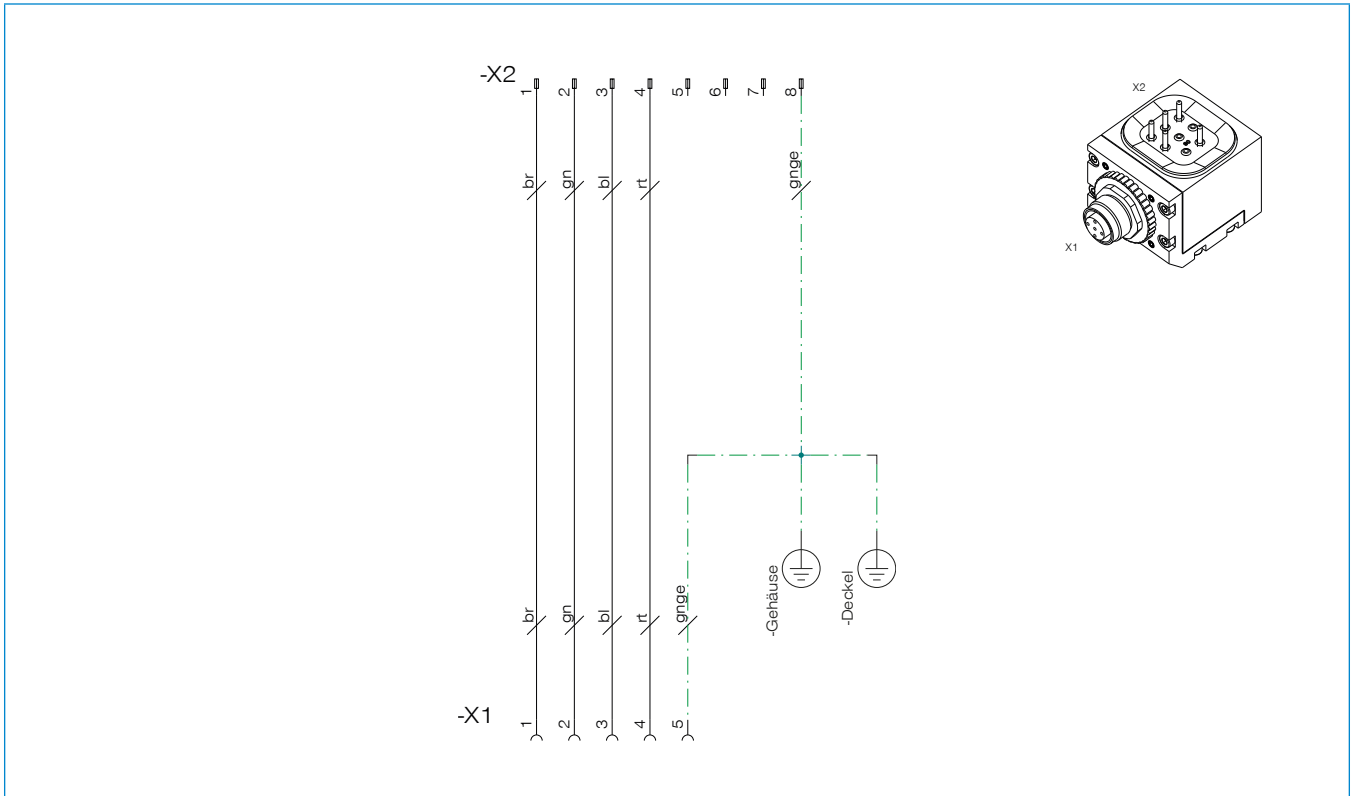
Order no.	WER3000LPB01-00
Series	WER3000
Transmission mode	Bus transmitter
Data transmission	Profibus
compatible with installation size	WWR100 / WWR125 / WWR160 / WWR1160 / WWR1200
compatible with	Lot part
No. of contacts	5
Connection type	Plug-in Connector
Coding	B
Connection category	-
Data rate	12
Fixing thread	M12
Connection type	Socket
Connection type	Round plug
Joining force [N]	40
Release force [N]	40
Protection to IEC 60529	IP54*
Weight [kg]	0.21

*only in coupled state



ENERGY ELEMENT

WER3000LPB01-00

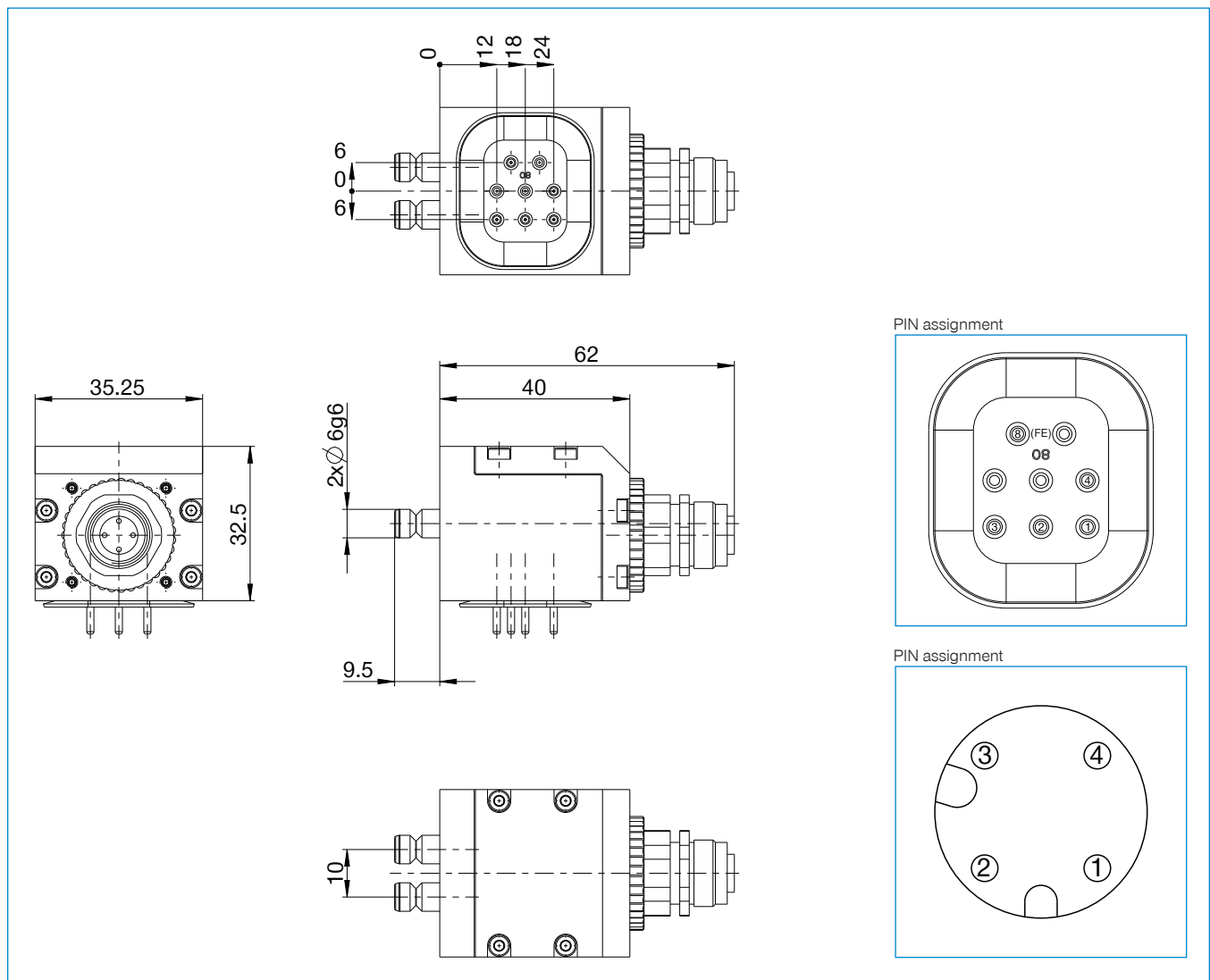


ENERGY ELEMENT

WER3000LPN01-00

Order no.	► Technical Data
Series	WER3000
Transmission mode	Bus transmitter
Data transmission	Profinet/Industrial Ethernet
compatible with installation size	WWR100 / WWR125 / WWR160 / WWR1160 / WWR1200
compatible with	Lot part
No. of contacts	4
Connection type	Plug-in Connector
Coding	D
Connection category	CAT5
Data rate	100
Fixing thread	M12
Connection type	Socket
Connection type	Round plug
Joining force [N]	40
Release force [N]	40
Protection to IEC 60529	IP54*
Weight [kg]	0.11

*only in coupled state



ENERGY ELEMENT

WER3000LPN01-00

