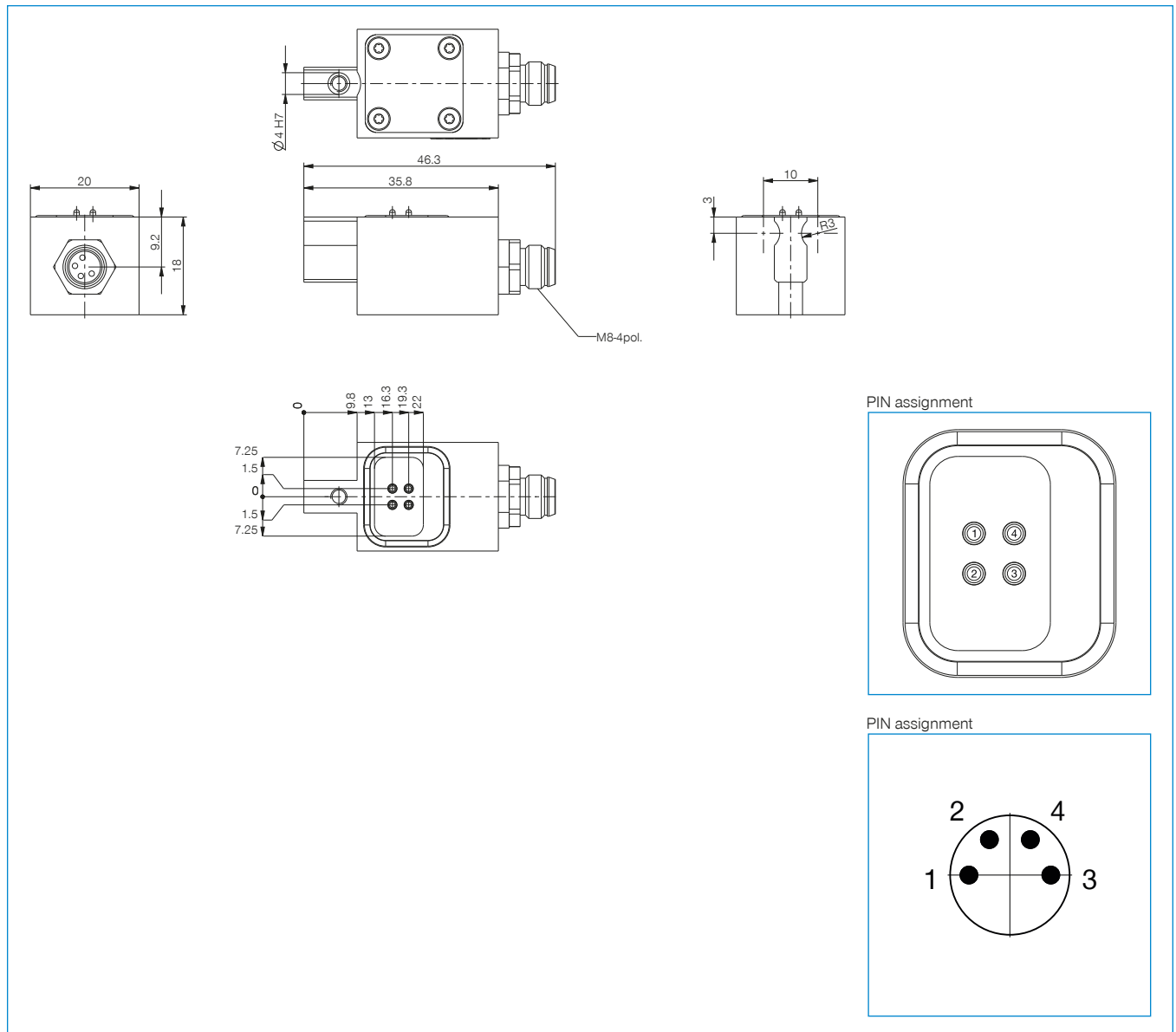


ENERGY ELEMENT

WER1000FSI04-00-B

► Technical Data	
Order no.	WER1000FSI04-00-B
Series	WER1000
Transmission mode	electrical
Function	Signal current
compatible with installation size	HWR2031 / HWR2040 / HWR2050 / HWR63-B / HWR80-B / WWR40-B / WWR50-B / WWR63-B / WWR80-B
compatible with	Fixed part
No. of contacts	4
Connection type	Spring contacts
Nominal current [A]	3
Supply voltage [V AC]	60
Fixing thread	M8
Connection type	Male
Connection type	Round plug
Joining force [N]	-
Release force [N]	-
Protection to IEC 60529	IP54*
Weight [kg]	0.02

*only in coupled state

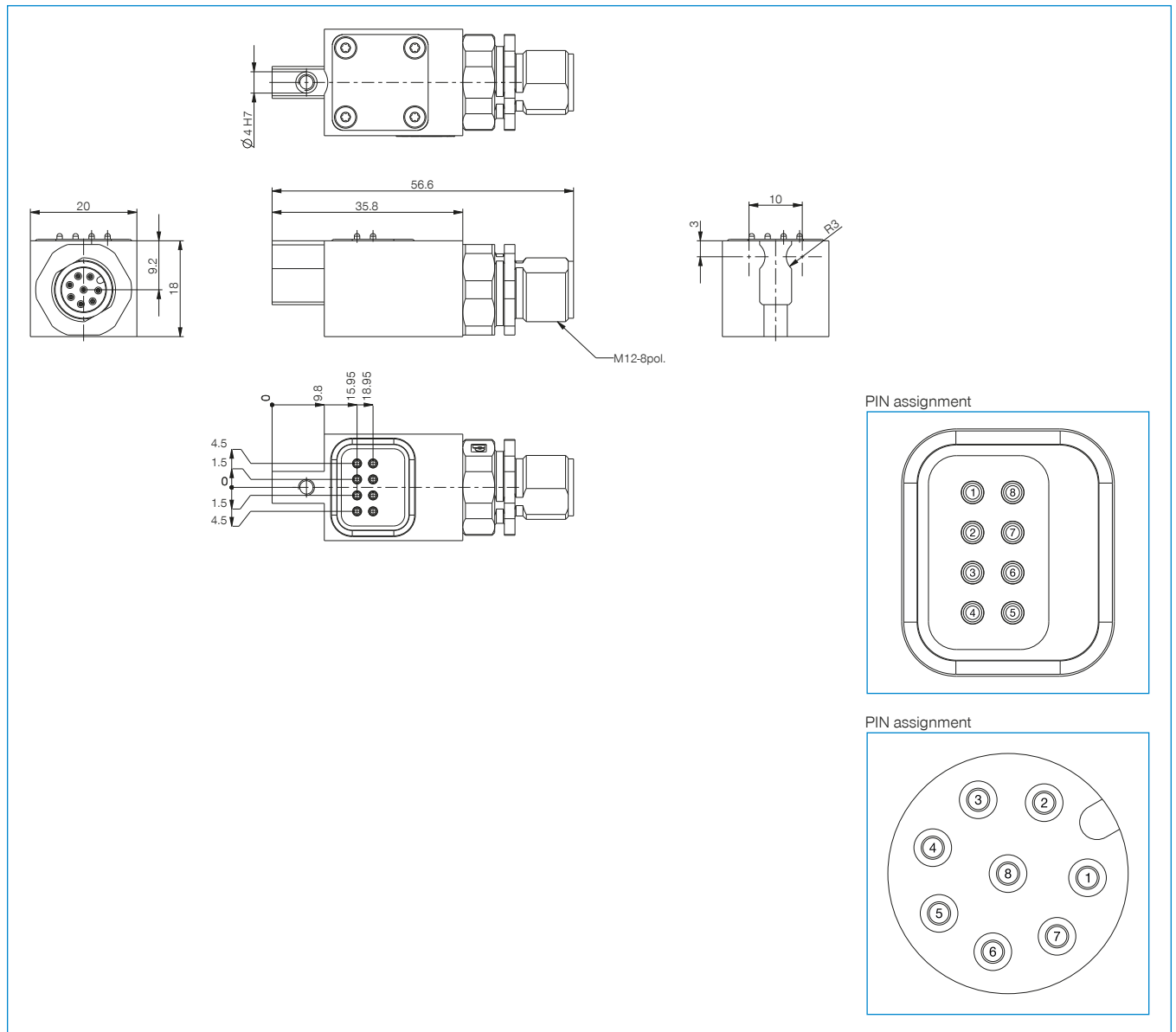


ENERGY ELEMENT

WER1000FSI08-00-B

Order no.	► Technical Data
Series	WER1000
Transmission mode	electrical
Function	Signal current
compatible with installation size	HWR2031 / HWR2040 / HWR2050 / HWR63-B / HWR80-B/ WWR40-B / WWR50-B / WWR63-B / WWR80-B
compatible with	Fixed part
No. of contacts	8
Connection type	Spring contacts
Nominal current [A]	2
Supply voltage [V AC]	30
Fixing thread	M12
Connection type	Male
Connection type	Round plug
Joining force [N]	-
Release force [N]	-
Protection to IEC 60529	IP54*
Weight [kg]	0.033

*only in coupled state

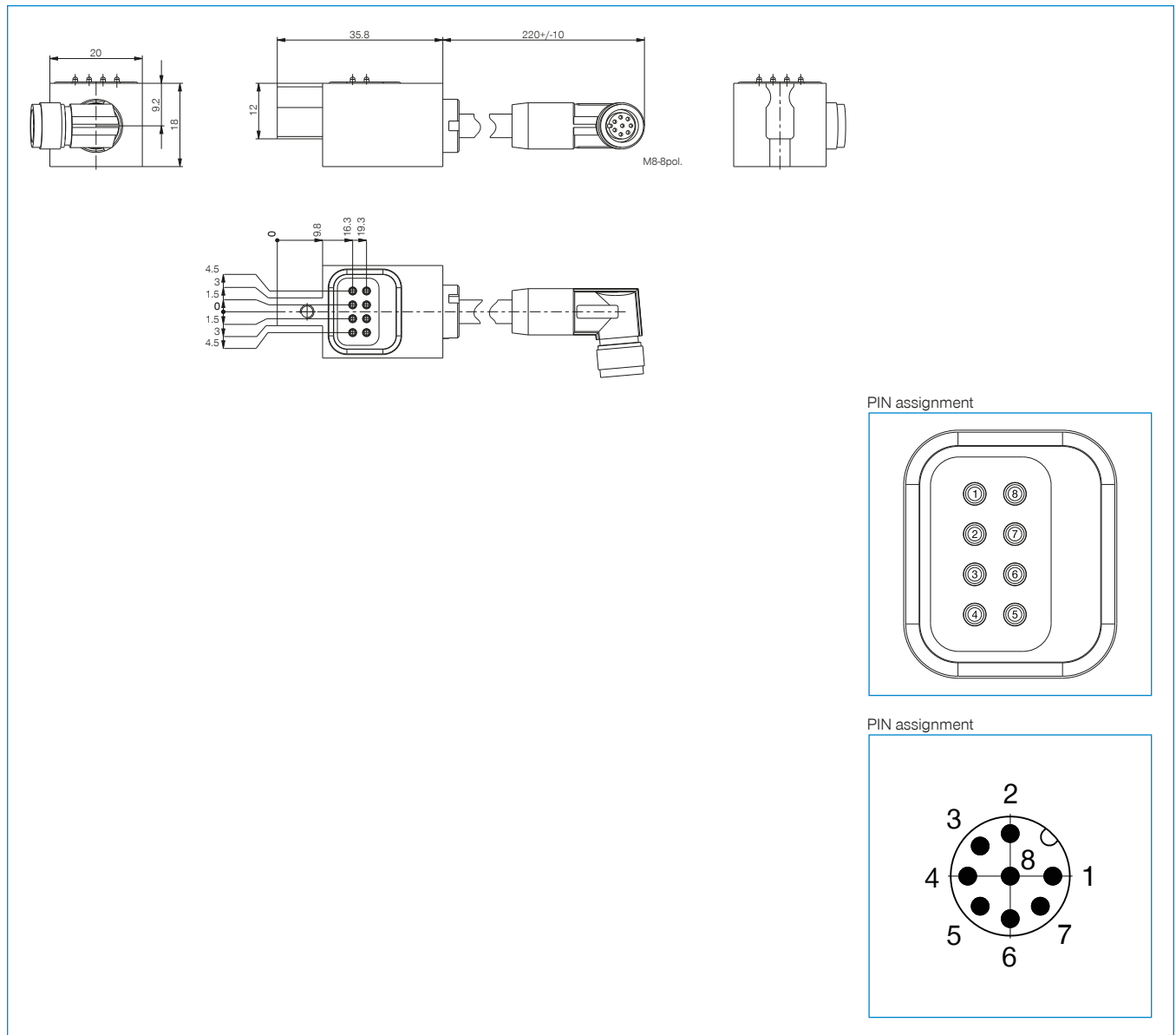


ENERGY ELEMENT

WER1000FSI08-10-B

Order no.	▶ Technical Data
Series	WER1000
Transmission mode	electrical
Function	Signal current
compatible with installation size	HWR2031 / HWR2040 / HWR2050 / HWR63-B / HWR80-B/ WWR40-B / WWR50-B / WWR63-B / WWR80-B
compatible with	Fixed part
No. of contacts	8
Connection type	Spring contacts
Nominal current [A]	1.5
Supply voltage [V DC]	30
Fixing thread	M8
Connection type	Socket
Connection type	Round plug
Joining force [N]	-
Release force [N]	-
Protection to IEC 60529	IP54*
Weight [kg]	0.04

*only in coupled state

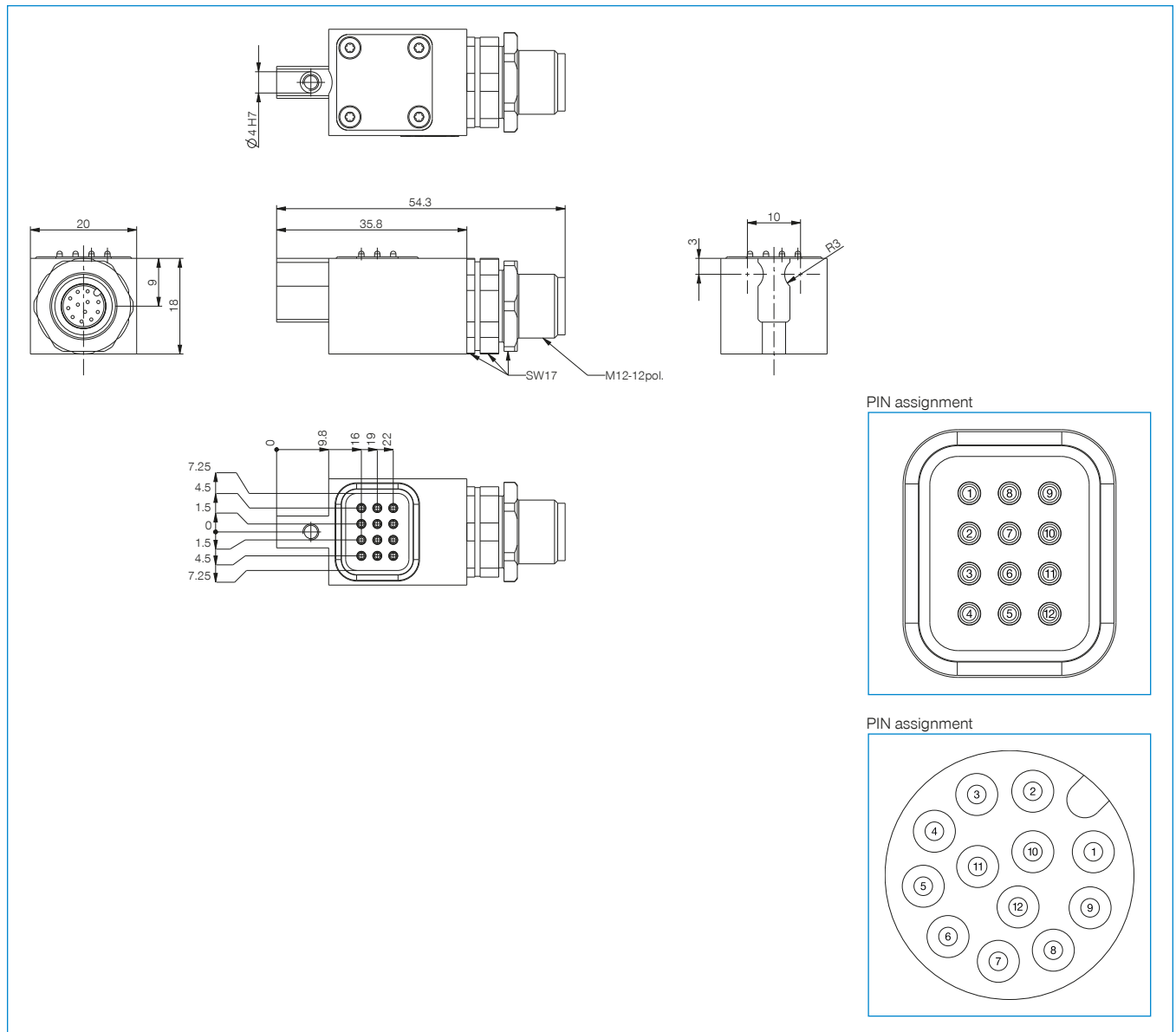


ENERGY ELEMENT

WER1000FSI12-00-B

Order no.	► Technical Data
Series	WER1000
Transmission mode	electrical
Function	Signal current
compatible with installation size	HWR2031 / HWR2040 / HWR2050 / HWR63-B / HWR80-B/ WWR40-B / WWR50-B / WWR63-B / WWR80-B
compatible with	Fixed part
No. of contacts	12
Connection type	Spring contacts
Nominal current [A]	1.5
Supply voltage [V AC]	30
Fixing thread	M12
Connection type	Male
Connection type	Round plug
Joining force [N]	-
Release force [N]	-
Protection to IEC 60529	IP54*
Weight [kg]	0.035

*only in coupled state

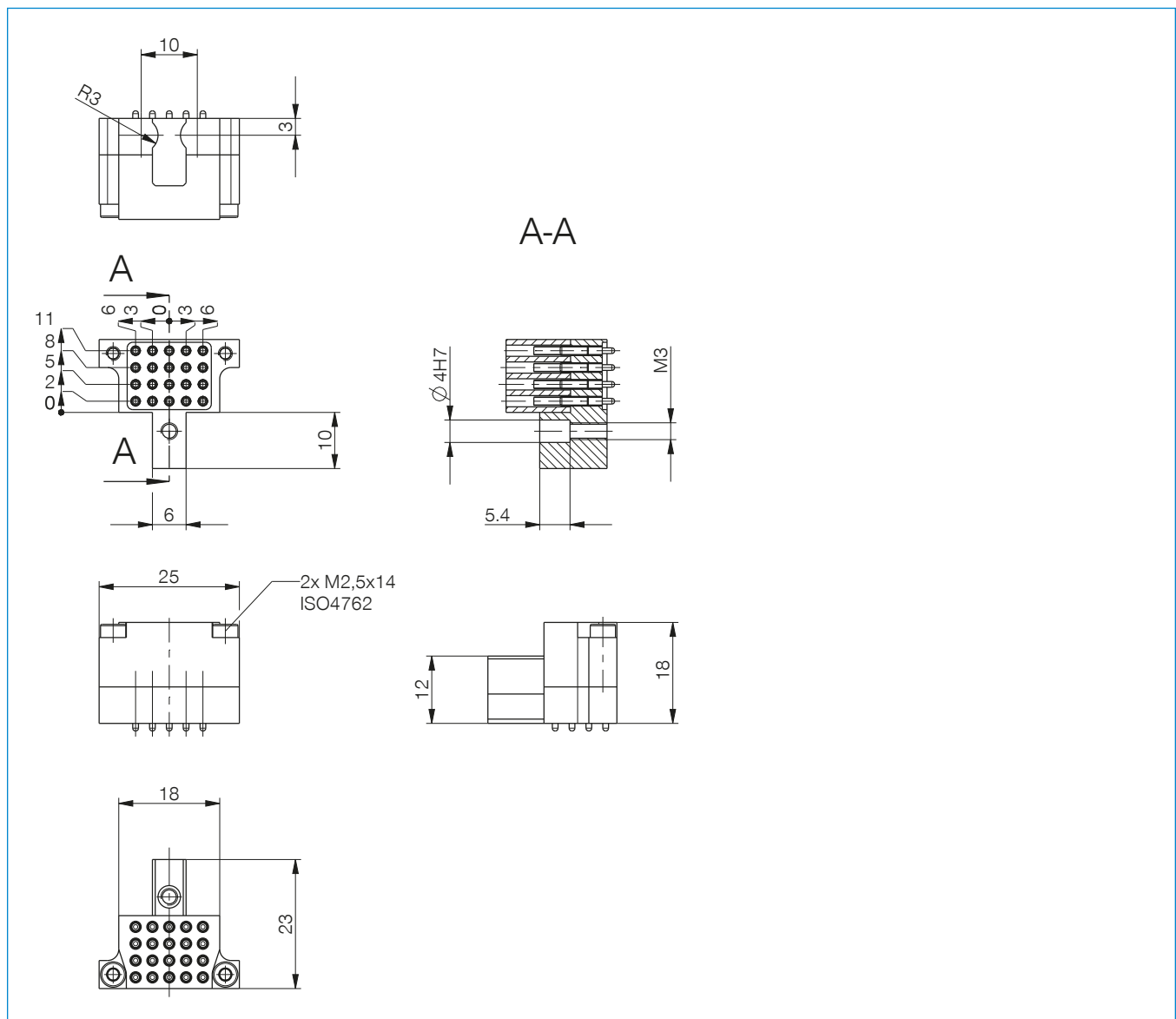


ENERGY ELEMENT

WER1000FSI20-05-B

Order no.	► Technical Data
Series	WER1000
Transmission mode	electrical
Function	Signal current
compatible with installation size	HWR2031 / HWR2040 / HWR2050 / HWR63-B / HWR80-B/ WWR40-B / WWR50-B / WWR63-B / WWR80-B
compatible with	Fixed part
No. of contacts	20
Connection type	Spring contacts
Nominal current [A]	3
Supply voltage [V AC]	60
Fixing thread	-
Connection type	Customizable
Connection type	Exposed leads
Joining force [N]	-
Release force [N]	-
Protection to IEC 60529	IP40*
Weight [kg]	0.011

*only in coupled state

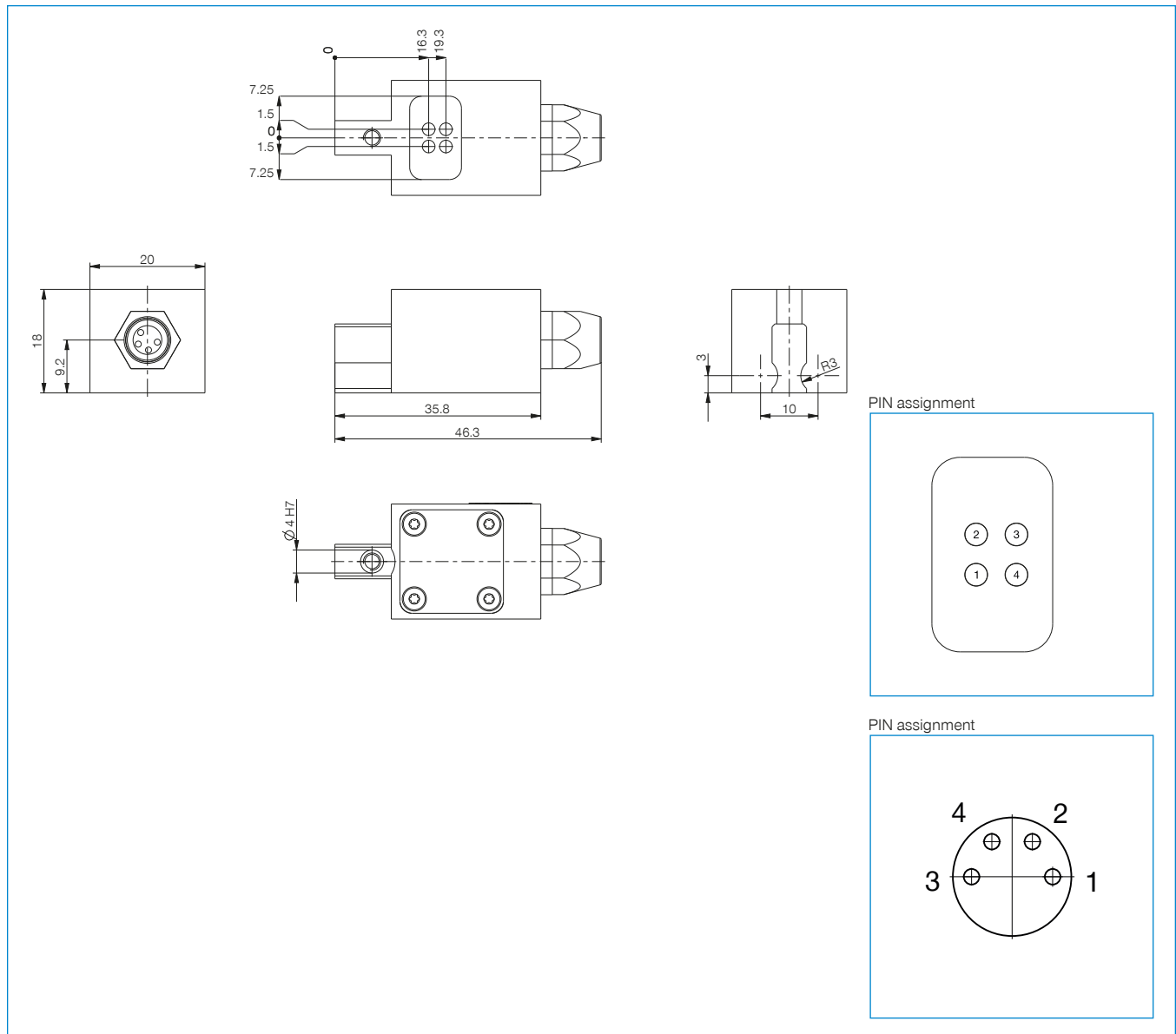


ENERGY ELEMENT

WER1000LSI04-00-B

Order no.	WER1000LSI04-00-B
Series	WER1000
Transmission mode	electrical
Function	Signal current
compatible with installation size	HWR2031 / HWR2040 / HWR2050 / HWR63-B / HWR80-B/ WWR40-B / WWR50-B / WWR63-B / WWR80-B
compatible with	Lot part
No. of contacts	4
Connection type	Spring contacts
Nominal current [A]	3
Supply voltage [V AC]	60
Fixing thread	M8
Connection type	Socket
Connection type	Round plug
Joining force [N]	-
Release force [N]	-
Protection to IEC 60529	IP54*
Weight [kg]	0.025

*only in coupled state

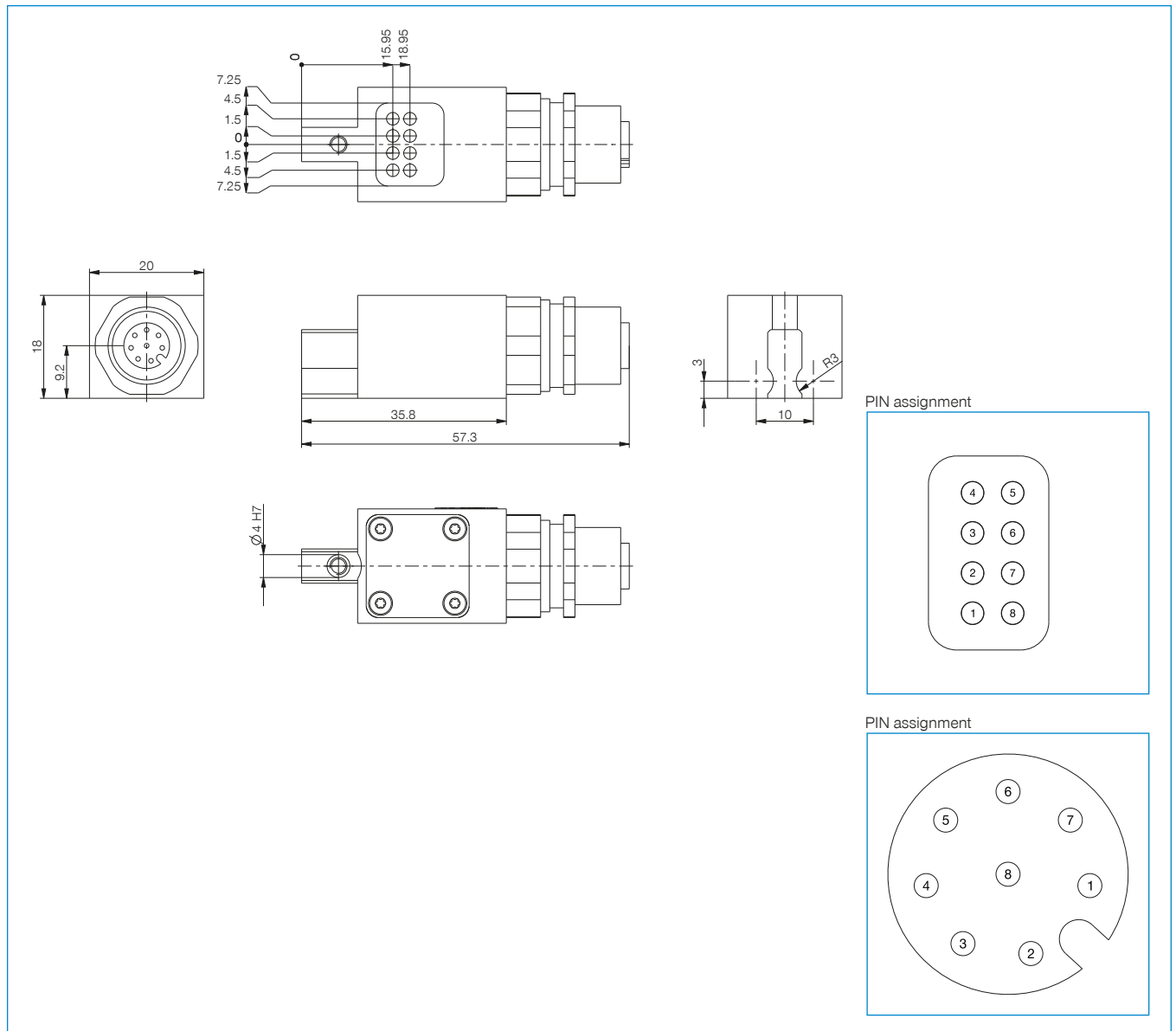


ENERGY ELEMENT

WER1000LSI08-00-B

Order no.	WER1000LSI08-00-B
Series	WER1000
Transmission mode	electrical
Function	Signal current
compatible with installation size	HWR2031 / HWR2040 / HWR2050 / HWR63-B / HWR80-B/ WWR40-B / WWR50-B / WWR63-B / WWR80-B
compatible with	Lot part
No. of contacts	8
Connection type	Spring contacts
Nominal current [A]	2
Supply voltage [V AC]	30
Fixing thread	M12
Connection type	Socket
Connection type	Round plug
Joining force [N]	-
Release force [N]	-
Protection to IEC 60529	IP54*
Weight [kg]	0.033

*only in coupled state

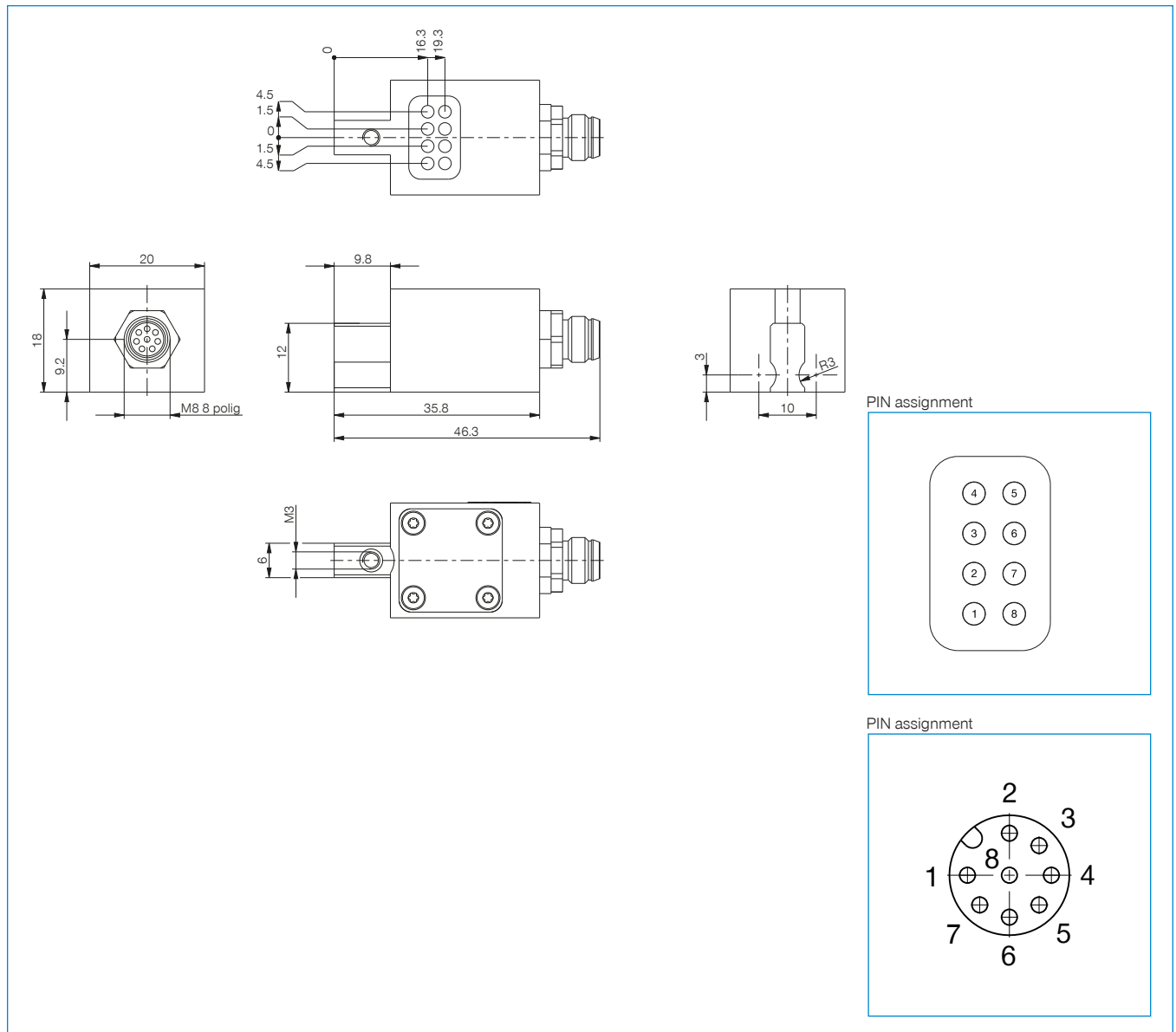


ENERGY ELEMENT

WER1000LSI08-10-B

Order no.	WER1000LSI08-10-B
Series	WER1000
Transmission mode	electrical
Function	Signal current
compatible with installation size	HWR2031 / HWR2040 / HWR2050 / HWR63-B / HWR80-B/ WWR40-B / WWR50-B / WWR63-B / WWR80-B
compatible with	Lot part
No. of contacts	8
Connection type	Spring contacts
Nominal current [A]	1.5
Supply voltage [V DC]	30
Fixing thread	M8
Connection type	Male
Connection type	Round plug
Joining force [N]	-
Release force [N]	-
Protection to IEC 60529	IP54*
Weight [kg]	0.019

*only in coupled state

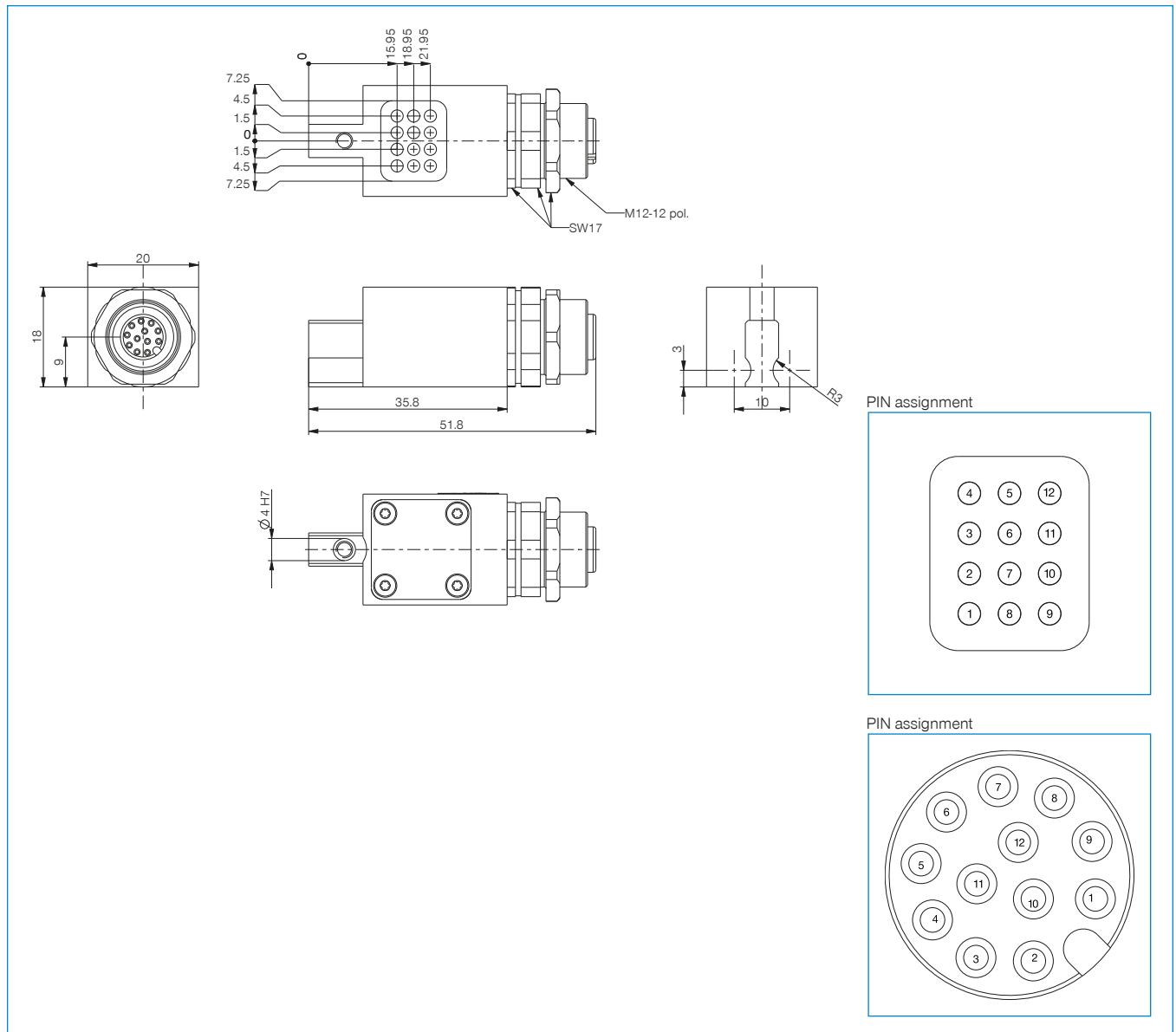


ENERGY ELEMENT

WER1000LSI12-00-B

Order no.	WER1000LSI12-00-B
Series	WER1000
Transmission mode	electrical
Function	Signal current
compatible with installation size	HWR2031 / HWR2040 / HWR2050 / HWR63-B / HWR80-B/ WWR40-B / WWR50-B / WWR63-B / WWR80-B
compatible with	Lot part
No. of contacts	12
Connection type	Spring contacts
Nominal current [A]	1.5
Supply voltage [V AC]	30
Fixing thread	M12
Connection type	Socket
Connection type	Round plug
Joining force [N]	-
Release force [N]	-
Protection to IEC 60529	IP54*
Weight [kg]	0.035

*only in coupled state

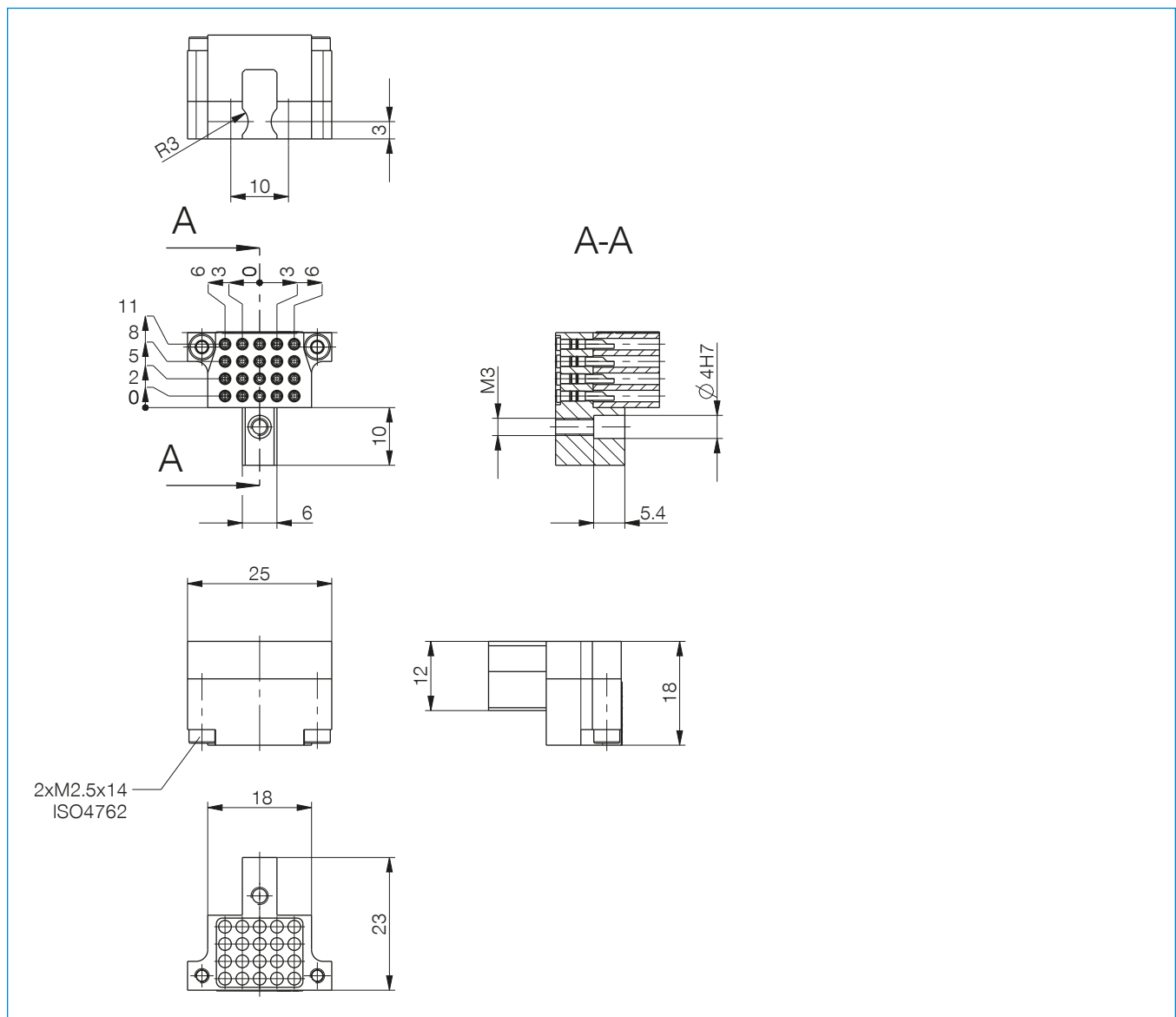


ENERGY ELEMENT

WER1000LSI20-05-B

Order no.	WER1000LSI20-05-B
Series	WER1000
Transmission mode	electrical
Function	Signal current
compatible with installation size	HWR2031 / HWR2040 / HWR2050 / HWR63-B / HWR80-B / WWR40-B / WWR50-B / WWR63-B / WWR80-B
compatible with	Lot part
No. of contacts	20
Connection type	Spring contacts
Nominal current [A]	3
Supply voltage [V AC]	60
Fixing thread	-
Connection type	Customizable
Connection type	Exposed leads
Joining force [N]	-
Release force [N]	-
Protection to IEC 60529	IP40*
Weight [kg]	0.01

*only in coupled state

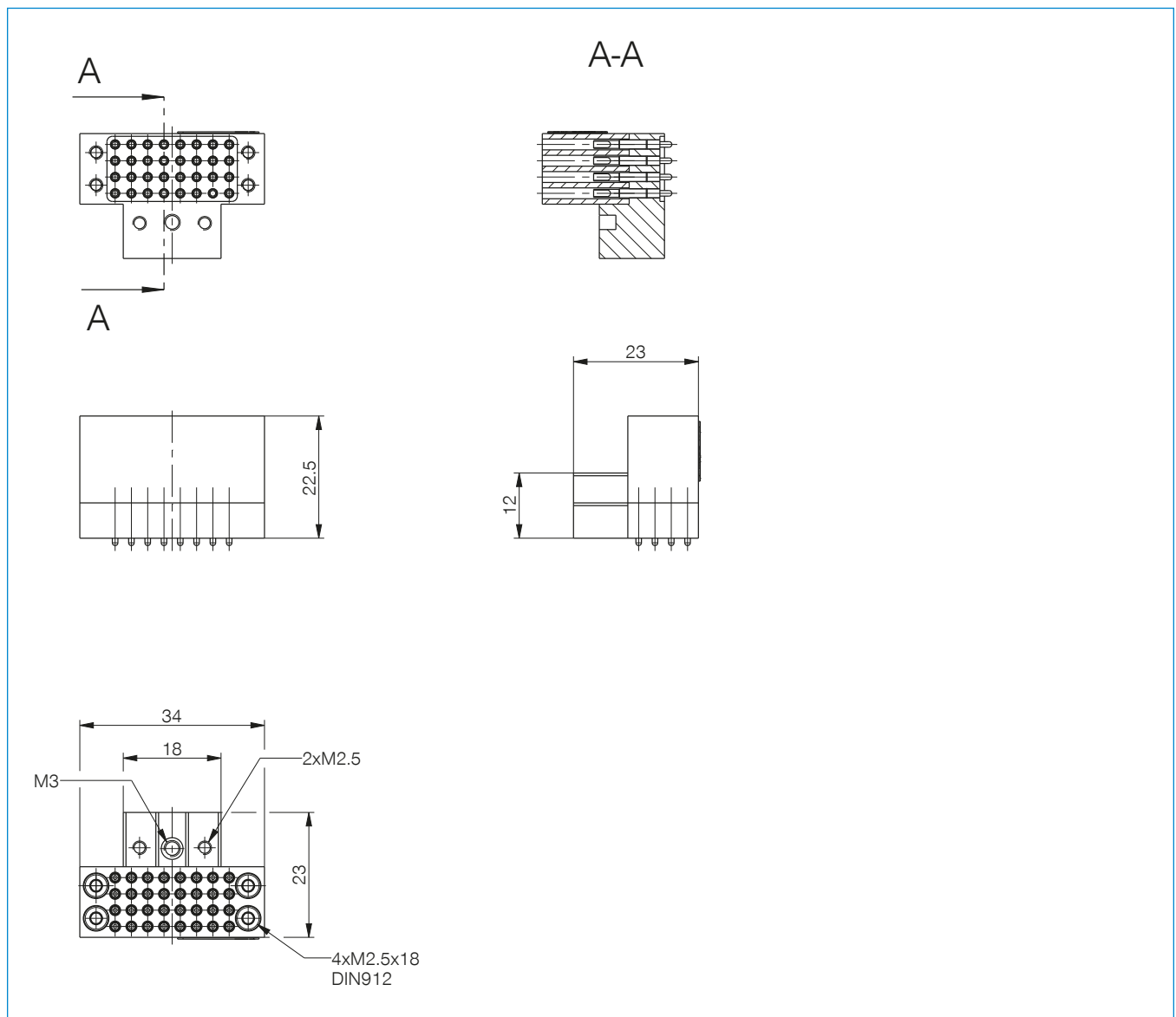


ENERGY ELEMENT

WER2000FSI32-05-B

Order no.	► Technical Data
Series	WER2000
Transmission mode	electrical
Function	Signal current
compatible with installation size	HWR63-B / HWR80-B / WWR63-B / WWR80-B
compatible with	Fixed part
No. of contacts	32
Connection type	Spring contacts
Nominal current [A]	3
Supply voltage [V AC]	60
Fixing thread	-
Connection type	Customizable
Connection type	Exposed leads
Joining force [N]	-
Release force [N]	-
Protection to IEC 60529	IP40*
Weight [kg]	0.021

*only in coupled state

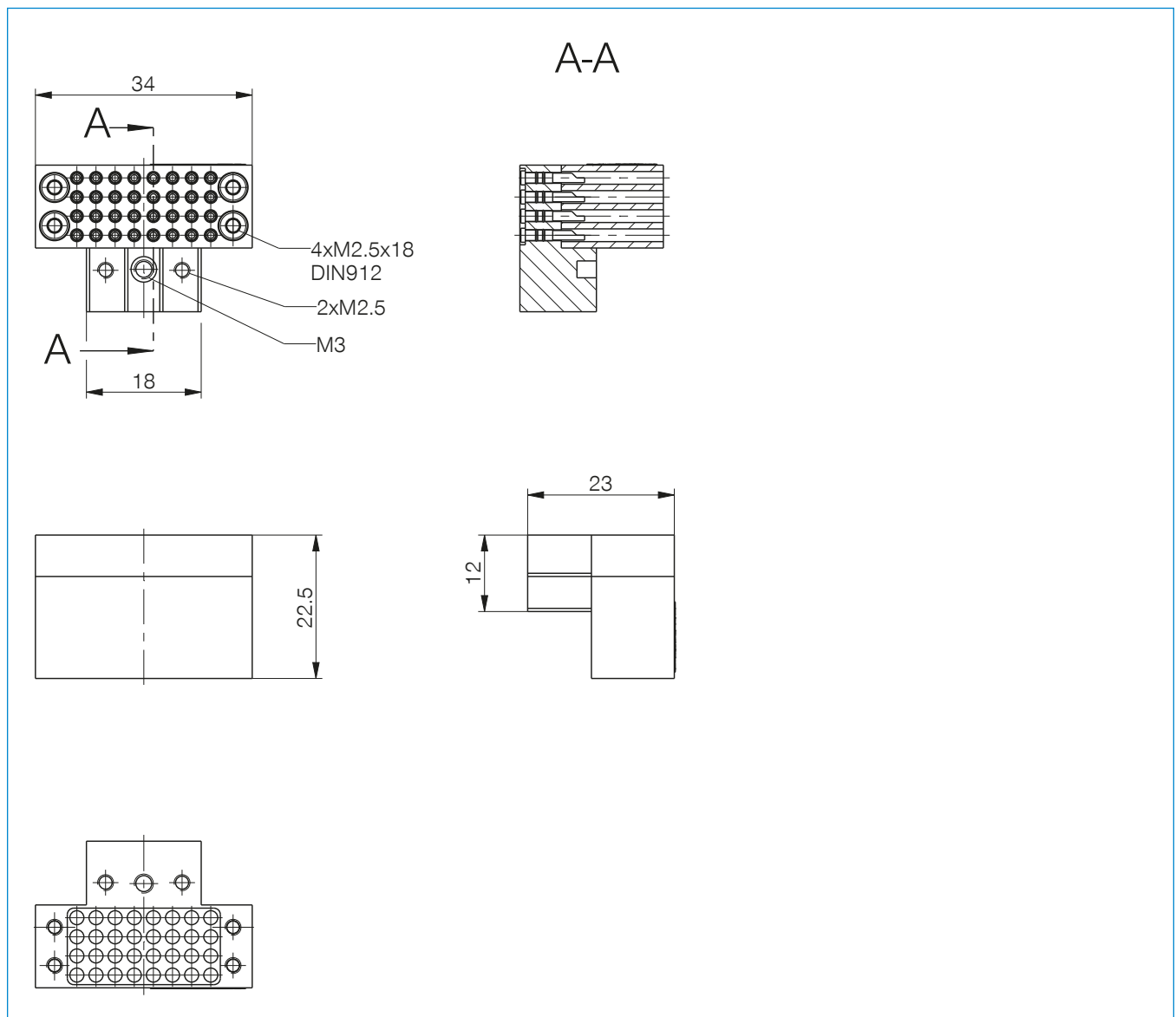


ENERGY ELEMENT

WER2000LSI32-05-B

Order no.	Technical Data
Series	WER2000
Transmission mode	electrical
Function	Signal current
compatible with installation size	HWR63-B / HWR80-B / WWR63-B / WWR80-B
compatible with	Lot part
No. of contacts	32
Connection type	Spring contacts
Nominal current [A]	3
Supply voltage [V AC]	60
Fixing thread	-
Connection type	Customizable
Connection type	Exposed leads
Joining force [N]	-
Release force [N]	-
Protection to IEC 60529	IP40*
Weight [kg]	0.021

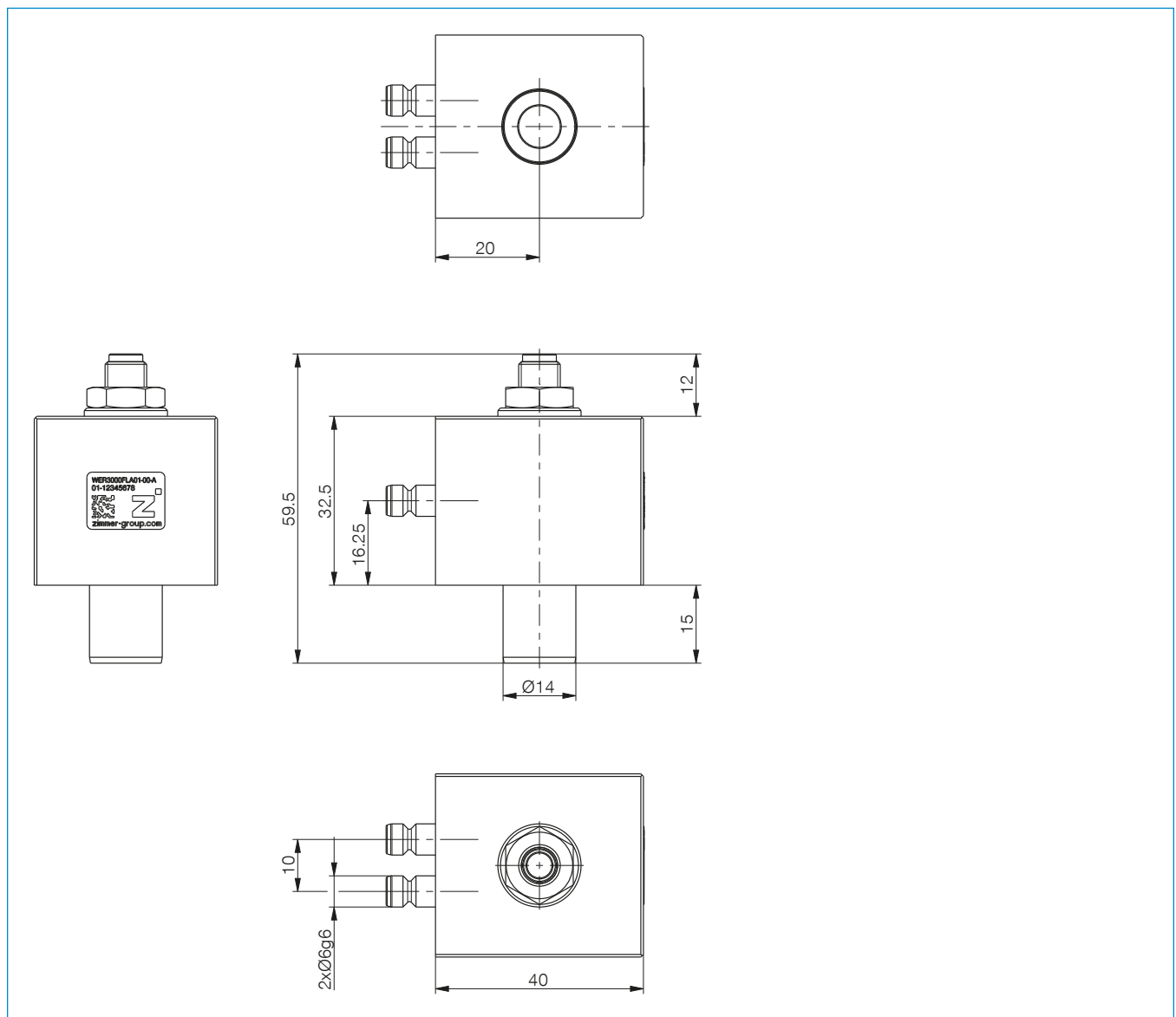
*only in coupled state



ENERGY ELEMENT

WER3000FLA01-00-A

Order no.	► Technical Data
Series	WER3000
Transmission mode	electrical
Function	Load current
compatible with installation size	WWR100 / WWR125 / WWR160 / WWR1160 / WWR1200
compatible with	Fixed part
No. of contacts	1
Connection type	Plug-in Connector
Nominal current [A]	140
Supply voltage [V DC]	58
Fixing thread	M8
Connection type	Male
Connection type	Cable lug
Joining force [N]	30
Release force [N]	25
Protection to IEC 60529	-
Weight [kg]	0.1

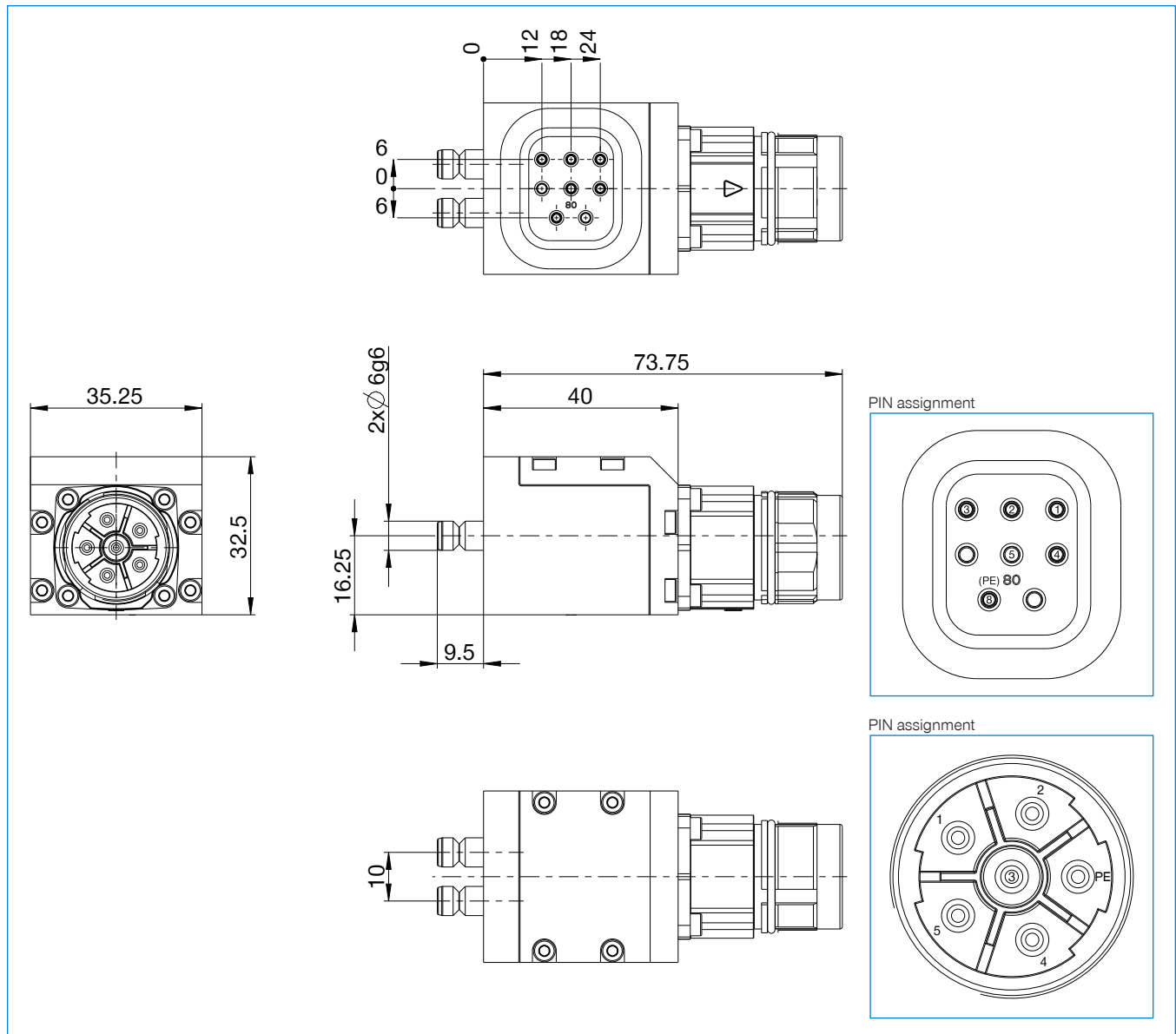


ENERGY ELEMENT

WER3000FLA06-00

Order no.	► Technical Data
Series	WER3000
Transmission mode	electrical
Function	Load current
compatible with installation size	WWR100 / WWR125 / WWR160 / WWR1160 / WWR1200
compatible with	Fixed part
No. of contacts	5+PE
Connection type	Plug-in Connector
Nominal current [A]	15
Supply voltage [V AC]	600
Fixing thread	M23
Connection type	Male
Connection type	Round plug
Joining force [N]	25
Release force [N]	25
Protection to IEC 60529	IP54*
Weight [kg]	0.11

*only in coupled state

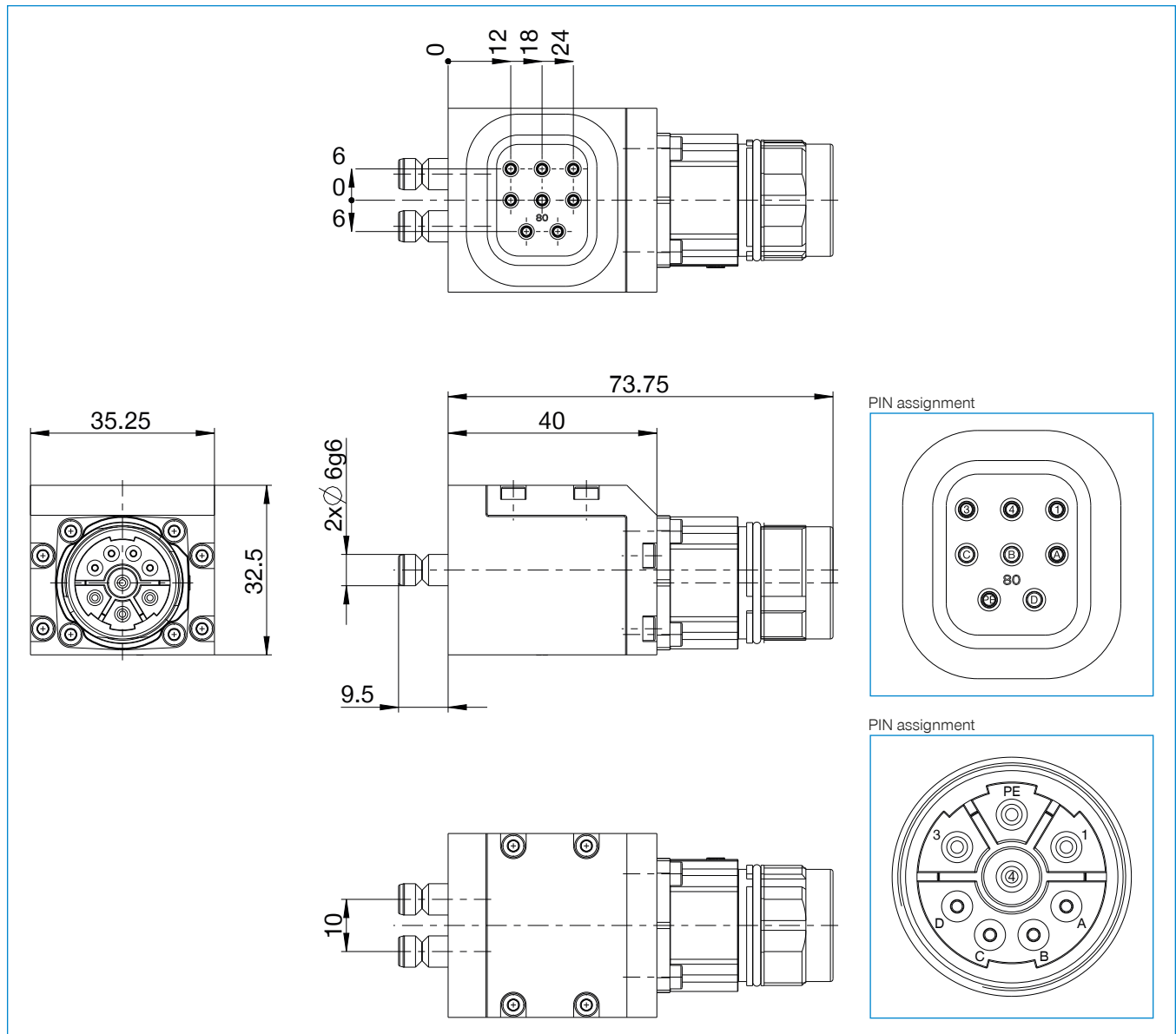


ENERGY ELEMENT

WER3000FLA08-00

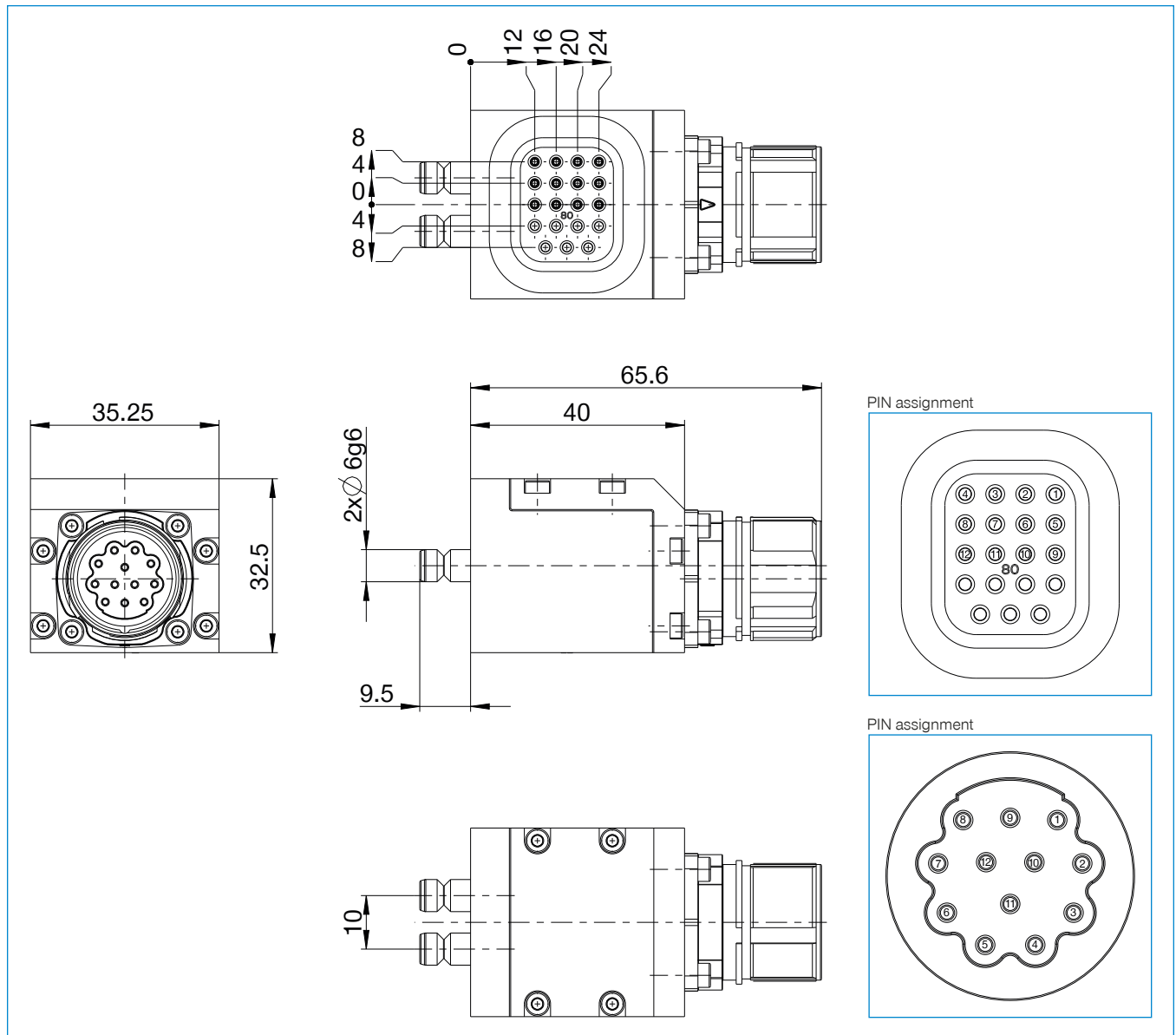
Order no.	► Technical Data
Series	WER3000
Transmission mode	electrical
Function	Load current
compatible with installation size	WWR100 / WWR125 / WWR160 / WWR1160 / WWR1200
compatible with	Fixed part
No. of contacts	(3+PE) / 4
Connection type	Plug-in Connector
Nominal current [A]	15/6
Supply voltage [V AC]	600/150
Fixing thread	M23
Connection type	Male
Connection type	Round plug
Joining force [N]	30
Release force [N]	30
Protection to IEC 60529	IP54*
Weight [kg]	0.16

*only in coupled state



Order no.	► Technical Data
Series	WER3000
Transmission mode	electrical
Function	Signal current
compatible with installation size	WWR100 / WWR125 / WWR160 / WWR1160 / WWR1200
compatible with	Fixed part
No. of contacts	12
Connection type	Plug-in Connector
Nominal current [A]	6
Supply voltage [V AC]	150
Fixing thread	M23
Connection type	Male
Connection type	Round plug
Joining force [N]	40
Release force [N]	40
Protection to IEC 60529	IP54*
Weight [kg]	0.14

*only in coupled state



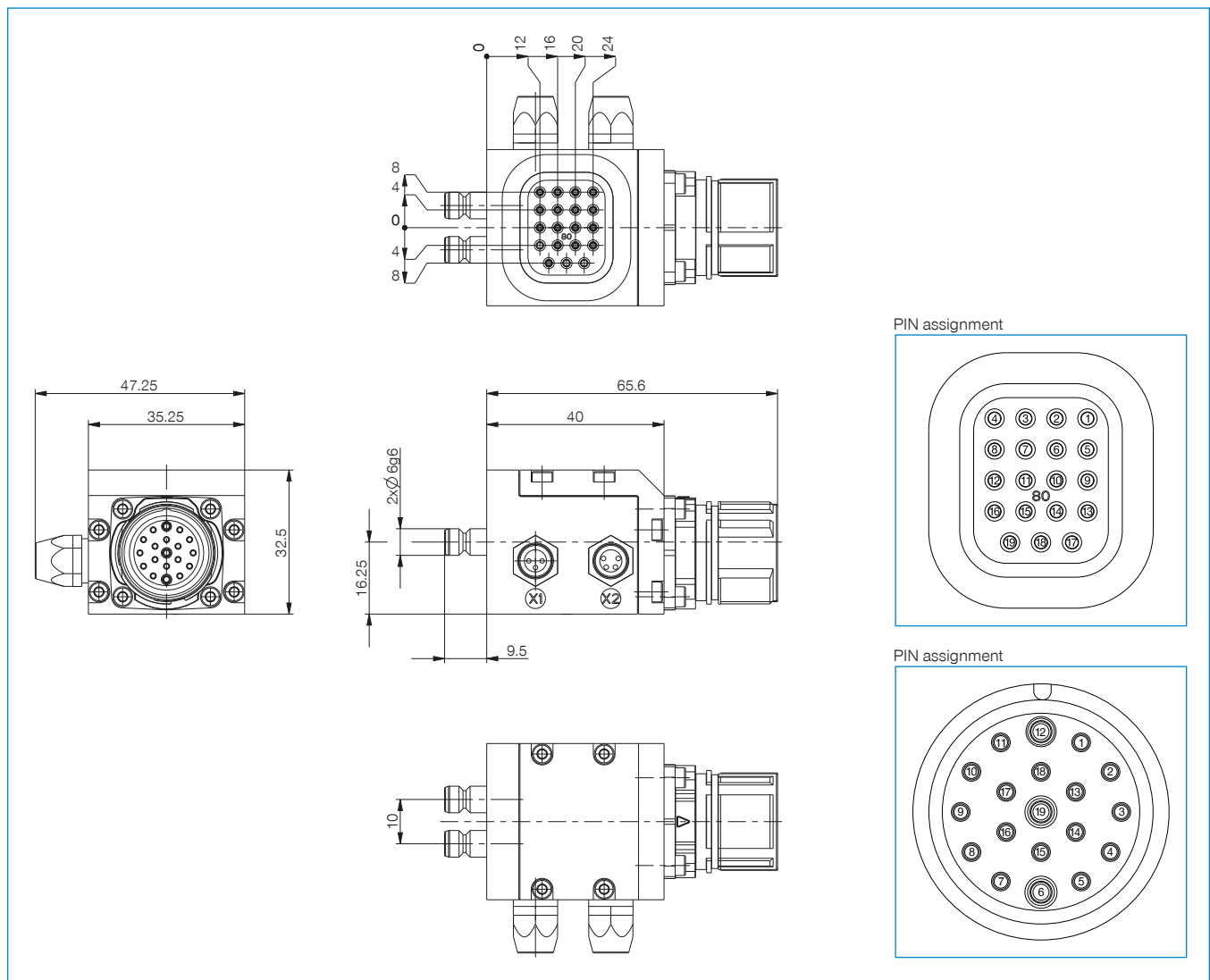
ENERGY ELEMENT

WER3000FSI14-01-A

► Technical Data

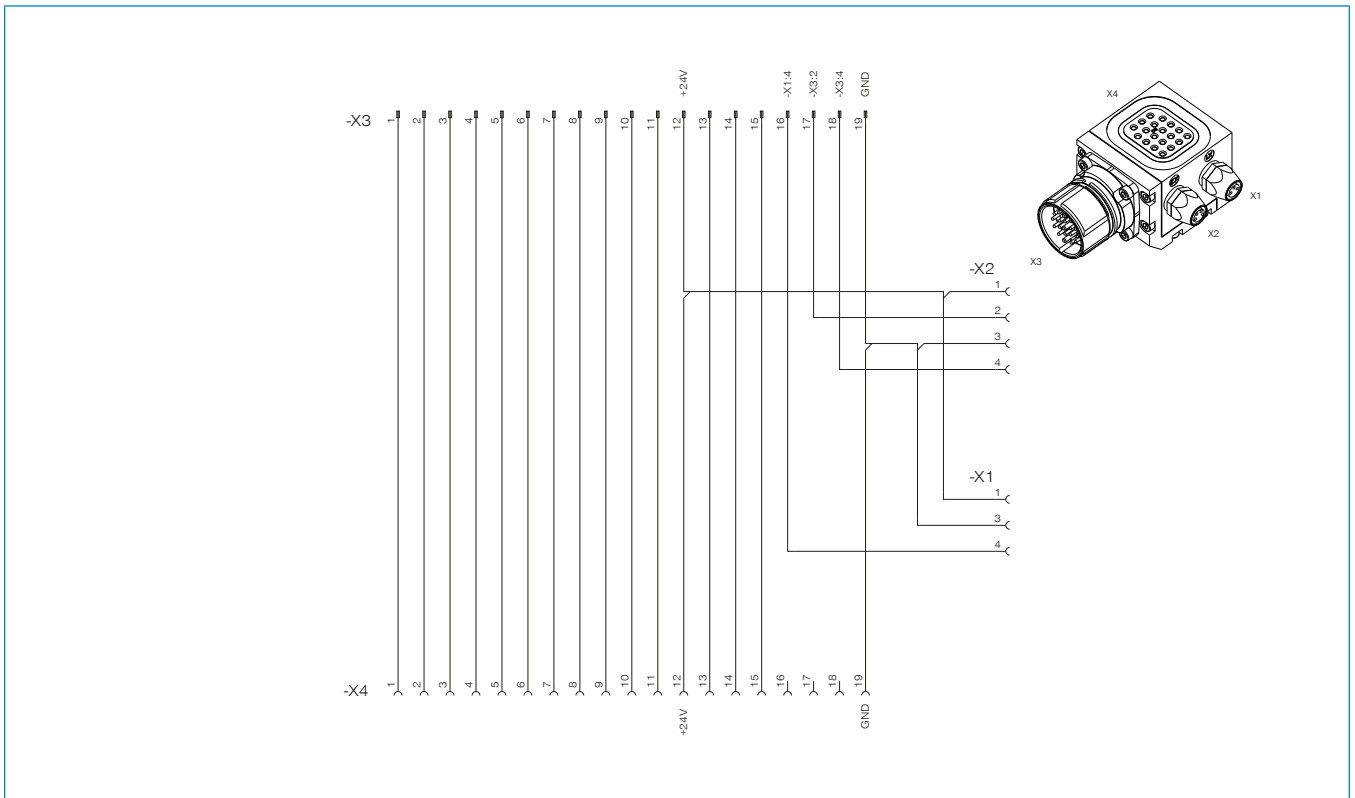
Order no.	WER3000FSI14-01-A
Series	WER3000
Transmission mode	electrical
Function	Signal current and connection options for sensors of the WWR
compatible with installation size	WWR100 / WWR125 / WWR160 / WWR1160 / WWR1200
compatible with	Fixed part
No. of contacts	14+5 Sensoric
Connection type	Plug-in Connector
Nominal current [A]	6
Supply voltage [V AC]	150
Fixing thread	M23
Connection type	Male
Connection type	Round plug
Sensor linkage	Left
Connection sensor X1	Socket M8, 3-pole
Connection sensor X2	Socket M8, 4-pole
Joining force [N]	70
Release force [N]	70
Protection to IEC 60529	IP54*
Weight [kg]	0.15

*only in coupled state



ENERGY ELEMENT

WER3000FSI14-01-A

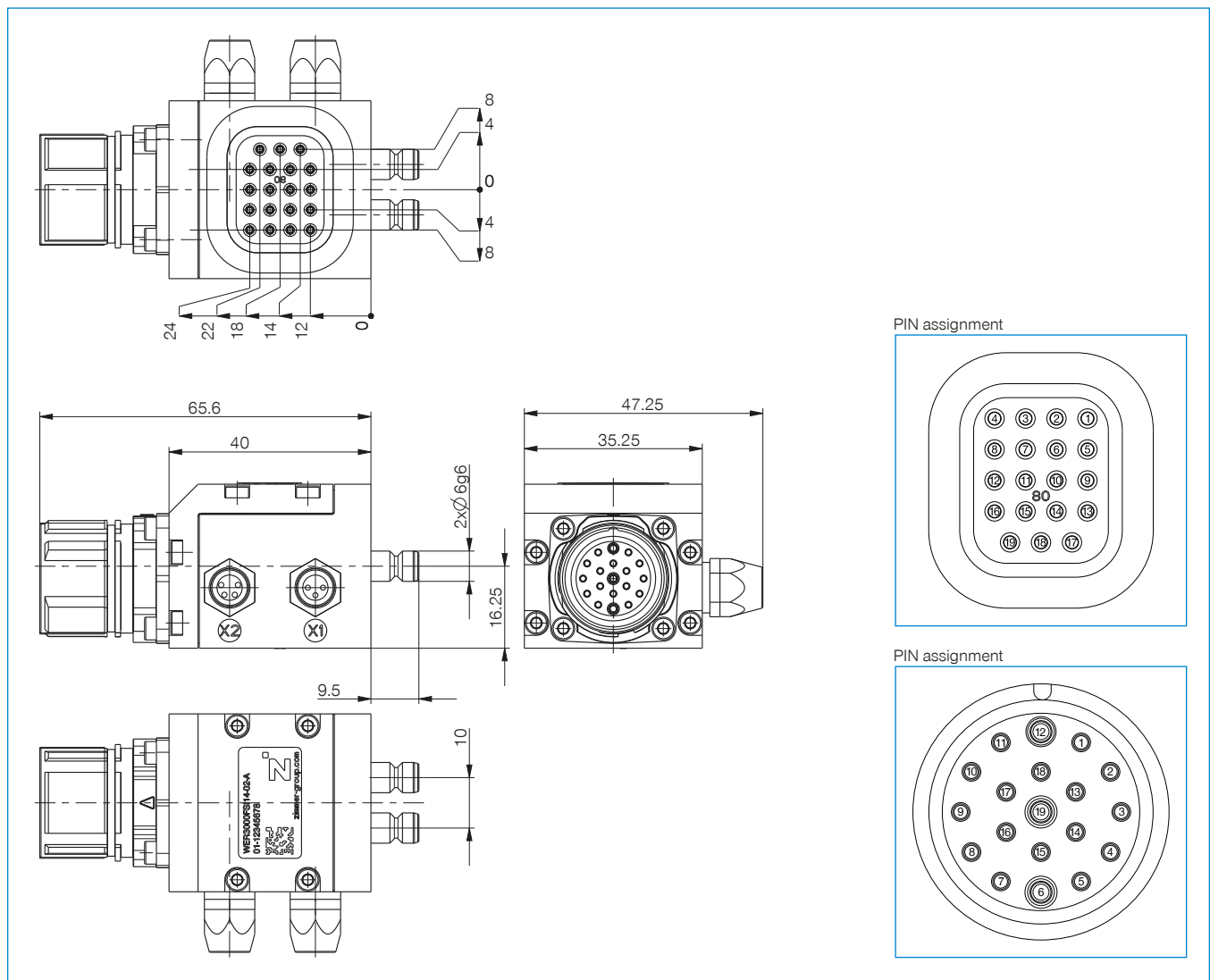


ENERGY ELEMENT

WER3000FSI14-02-A

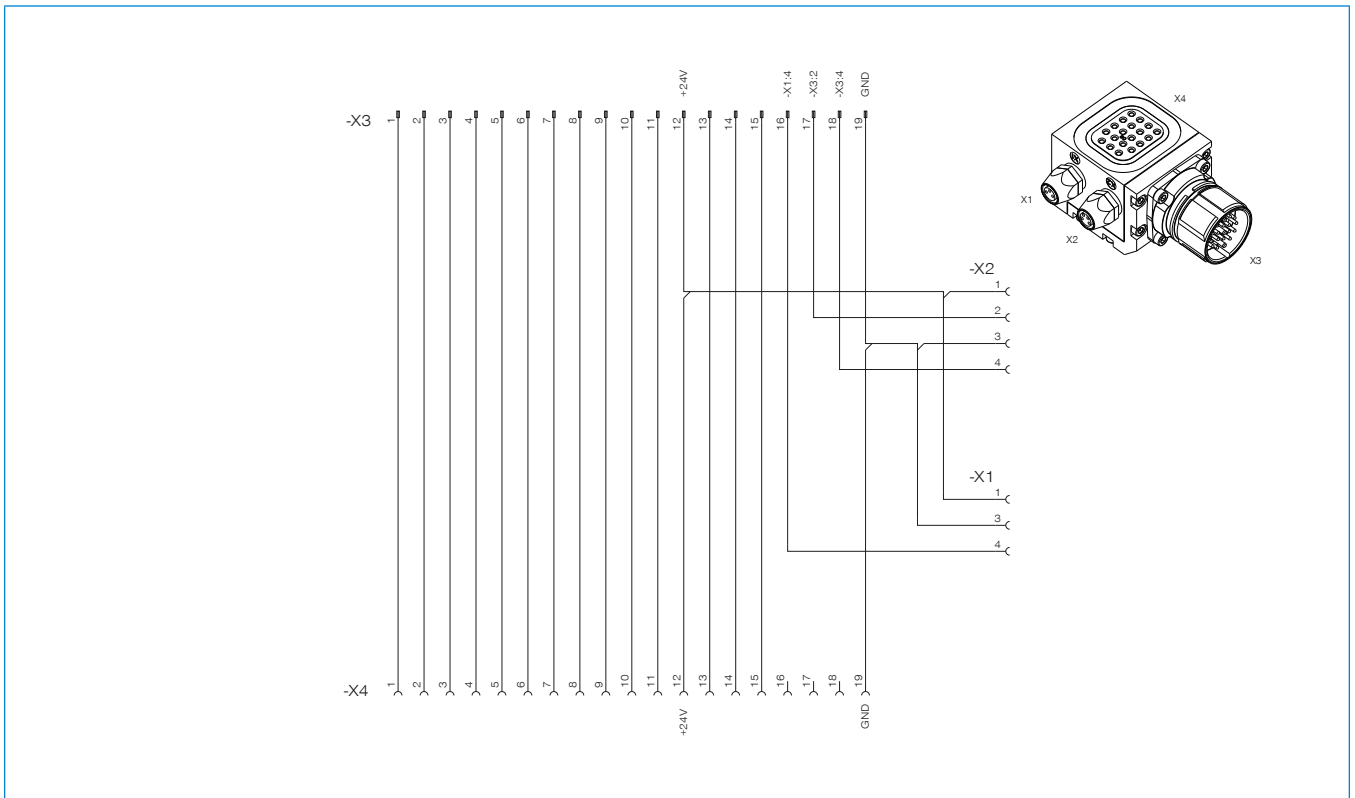
Order no.	WER3000FSI14-02-A
Series	WER3000
Transmission mode	electrical
Function	Signal current and connection options for sensors of the WWR
compatible with installation size	WWR100 / WWR125 / WWR160 / WWR1160 / WWR1200
compatible with	Fixed part
No. of contacts	14+5 Sensoric
Connection type	Plug-in Connector
Nominal current [A]	6
Supply voltage [V AC]	150
Fixing thread	M23
Connection type	Male
Connection type	Round plug
Sensor linkage	Right
Connection sensor X1	Socket M8, 3-pole
Connection sensor X2	Socket M8, 4-pole
Joining force [N]	70
Release force [N]	70
Protection to IEC 60529	IP54*
Weight [kg]	0.15

*only in coupled state



ENERGY ELEMENT

WER3000FSI14-02-A

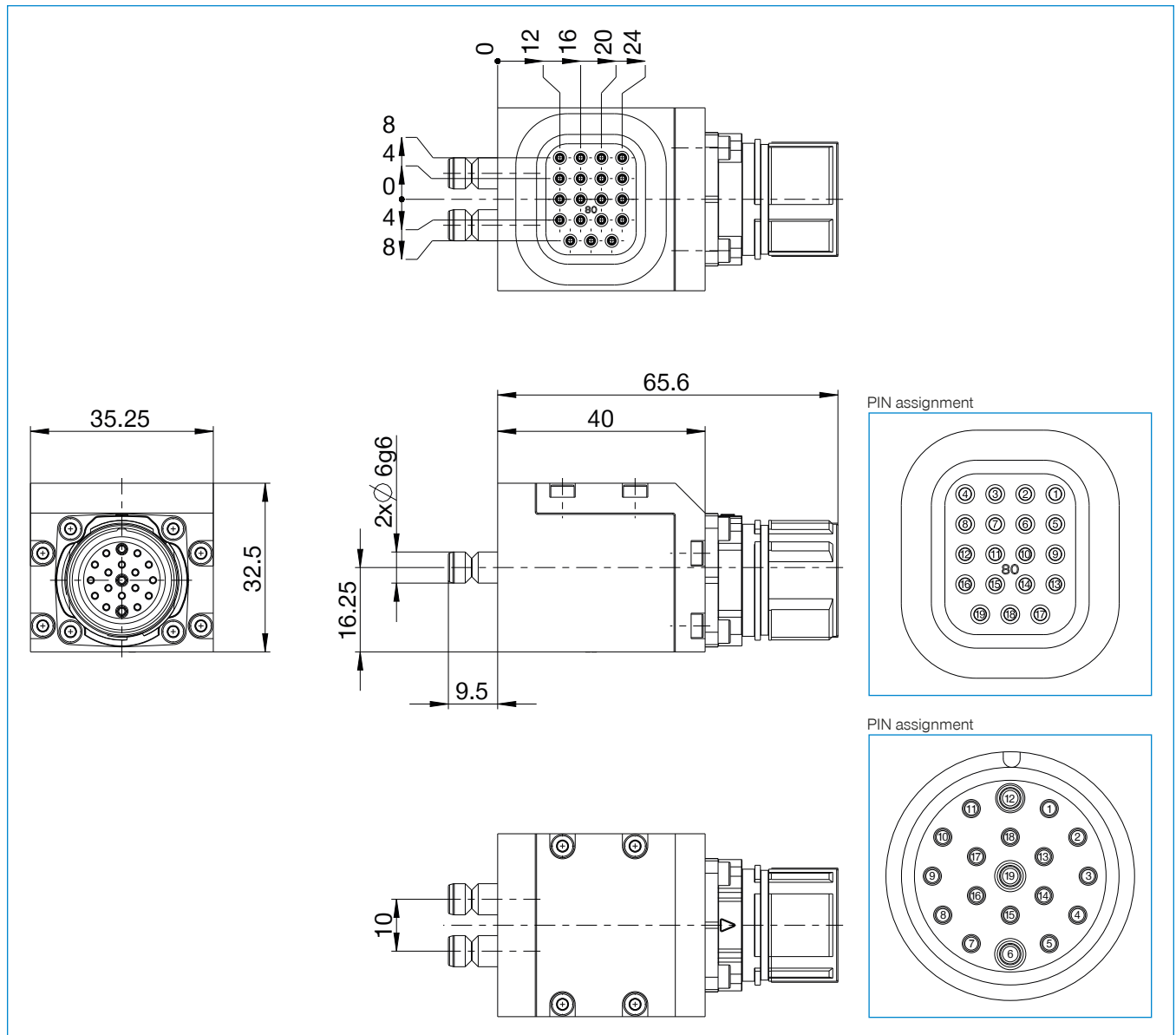


ENERGY ELEMENT

WER3000FSI19-00

Order no.	► Technical Data
Series	WER3000
Transmission mode	electrical
Function	Signal current
compatible with installation size	WWR100 / WWR125 / WWR160 / WWR1160 / WWR1200
compatible with	Fixed part
No. of contacts	19
Connection type	Plug-in Connector
Nominal current [A]	6
Supply voltage [V AC]	150
Fixing thread	M23
Connection type	Male
Connection type	Round plug
Joining force [N]	70
Release force [N]	50
Protection to IEC 60529	IP54*
Weight [kg]	0.13

*only in coupled state

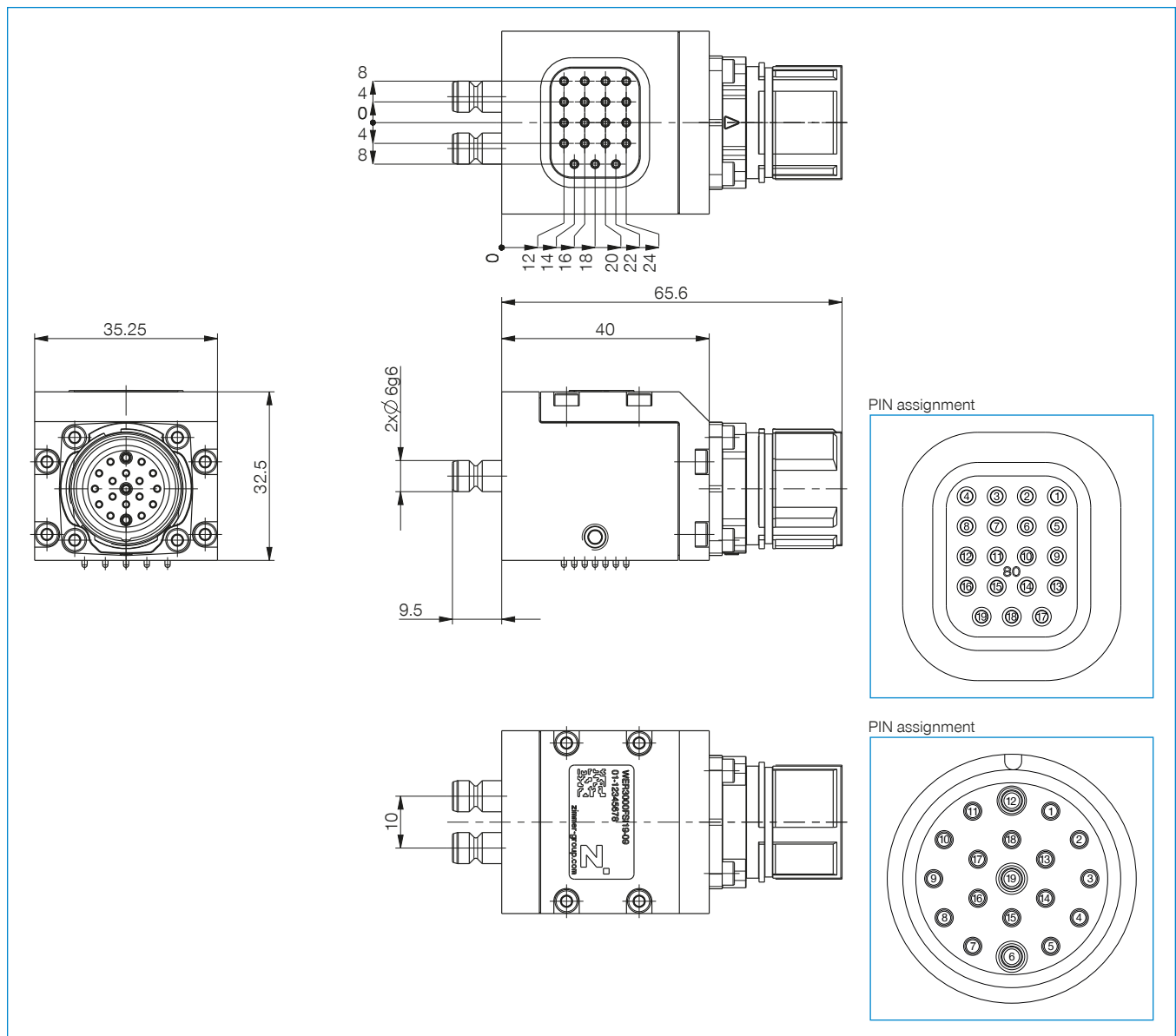


ENERGY ELEMENT

WER3000FSI19-09-A

Order no.	► Technical Data
Series	WER3000
Transmission mode	electrical
Function	Signal current
compatible with installation size	WWR100 / WWR125 / WWR160 / WWR1160 / WWR1200
compatible with	Fixed part
No. of contacts	19
Connection type	Spring contacts
Nominal current [A]	3
Supply voltage [V AC]	60
Fixing thread	M23
Connection type	Male
Connection type	Round plug
Joining force [N]	-
Release force [N]	-
Protection to IEC 60529	IP54*
Weight [kg]	0.13

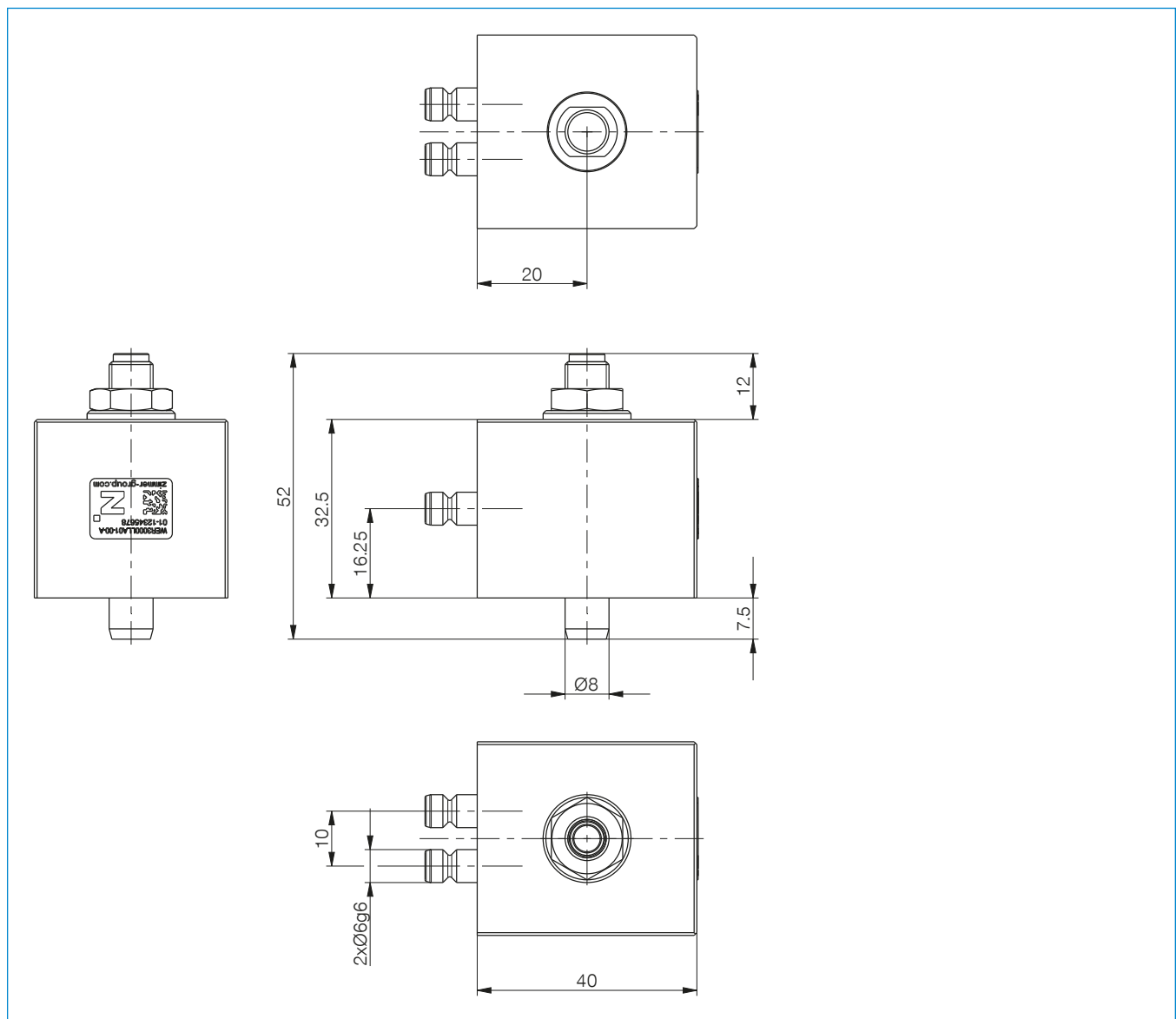
*only in coupled state



ENERGY ELEMENT

WER3000LLA01-00-A

Order no.	► Technical Data
Series	WER3000
Transmission mode	electrical
Function	Load current
compatible with installation size	WWR100 / WWR125 / WWR160 / WWR1160 / WWR1200
compatible with	Lot part
No. of contacts	1
Connection type	Plug-in Connector
Nominal current [A]	140
Supply voltage [V DC]	58
Fixing thread	M8
Connection type	Male
Connection type	Cable lug
Joining force [N]	30
Release force [N]	25
Protection to IEC 60529	-
Weight [kg]	0.081

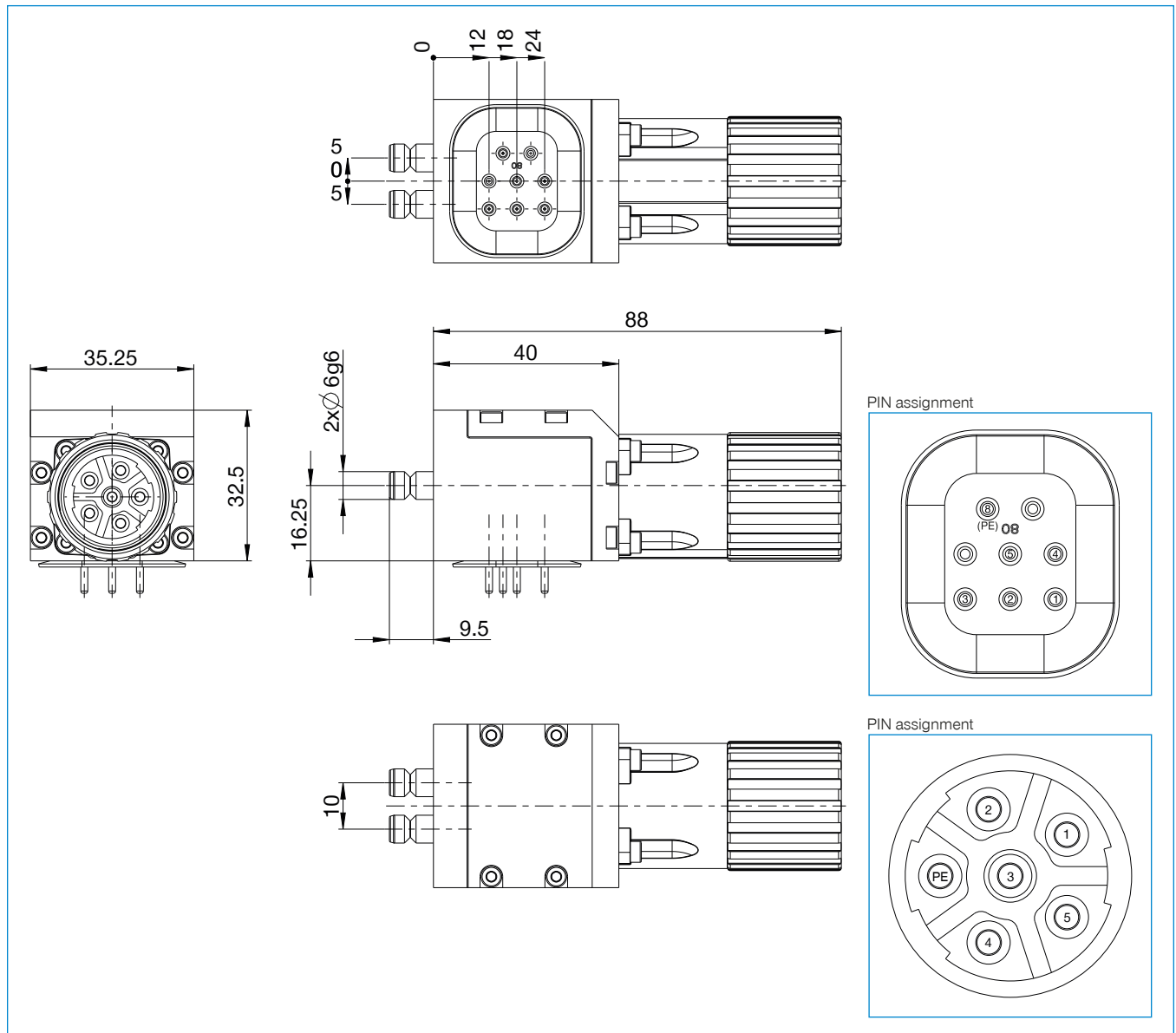


ENERGY ELEMENT

WER3000LLA06-00

Order no.	► Technical Data
Series	WER3000
Transmission mode	electrical
Function	Load current
compatible with installation size	WWR100 / WWR125 / WWR160 / WWR1160 / WWR1200
compatible with	Lot part
No. of contacts	5+PE
Connection type	Plug-in Connector
Nominal current [A]	15
Supply voltage [V AC]	600
Fixing thread	M23
Connection type	Socket
Connection type	Round plug
Joining force [N]	25
Release force [N]	25
Protection to IEC 60529	IP54*
Weight [kg]	0.21

*only in coupled state

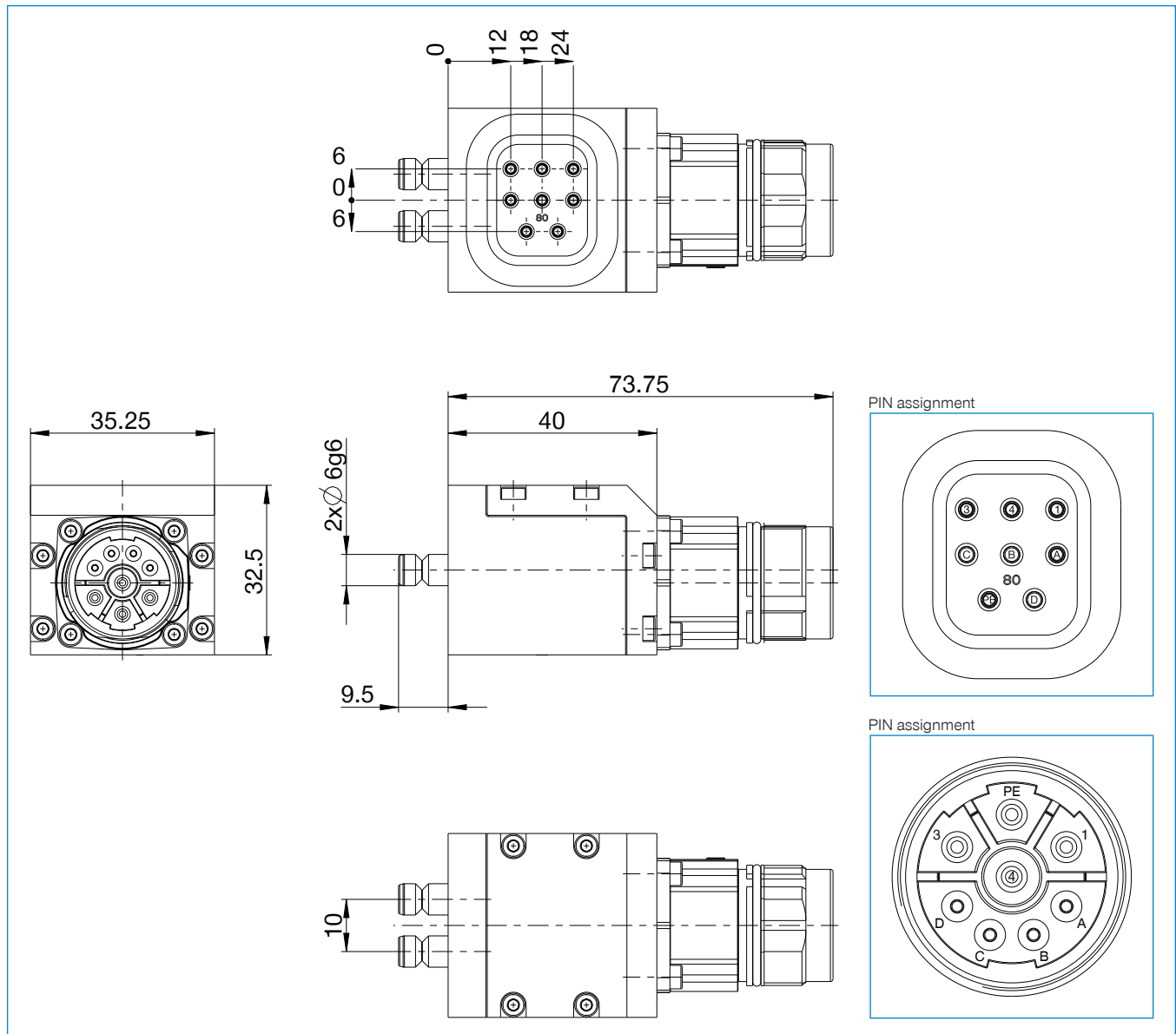


ENERGY ELEMENT

WER3000FLA08-00

Order no.	► Technical Data
Series	WER3000
Transmission mode	electrical
Function	Load current
compatible with installation size	WWR100 / WWR125 / WWR160 / WWR1160 / WWR1200
compatible with	Fixed part
No. of contacts	(3+PE) / 4
Connection type	Plug-in Connector
Nominal current [A]	15/6
Supply voltage [V AC]	600/150
Fixing thread	M23
Connection type	Male
Connection type	Round plug
Joining force [N]	30
Release force [N]	30
Protection to IEC 60529	IP54*
Weight [kg]	0.16

*only in coupled state

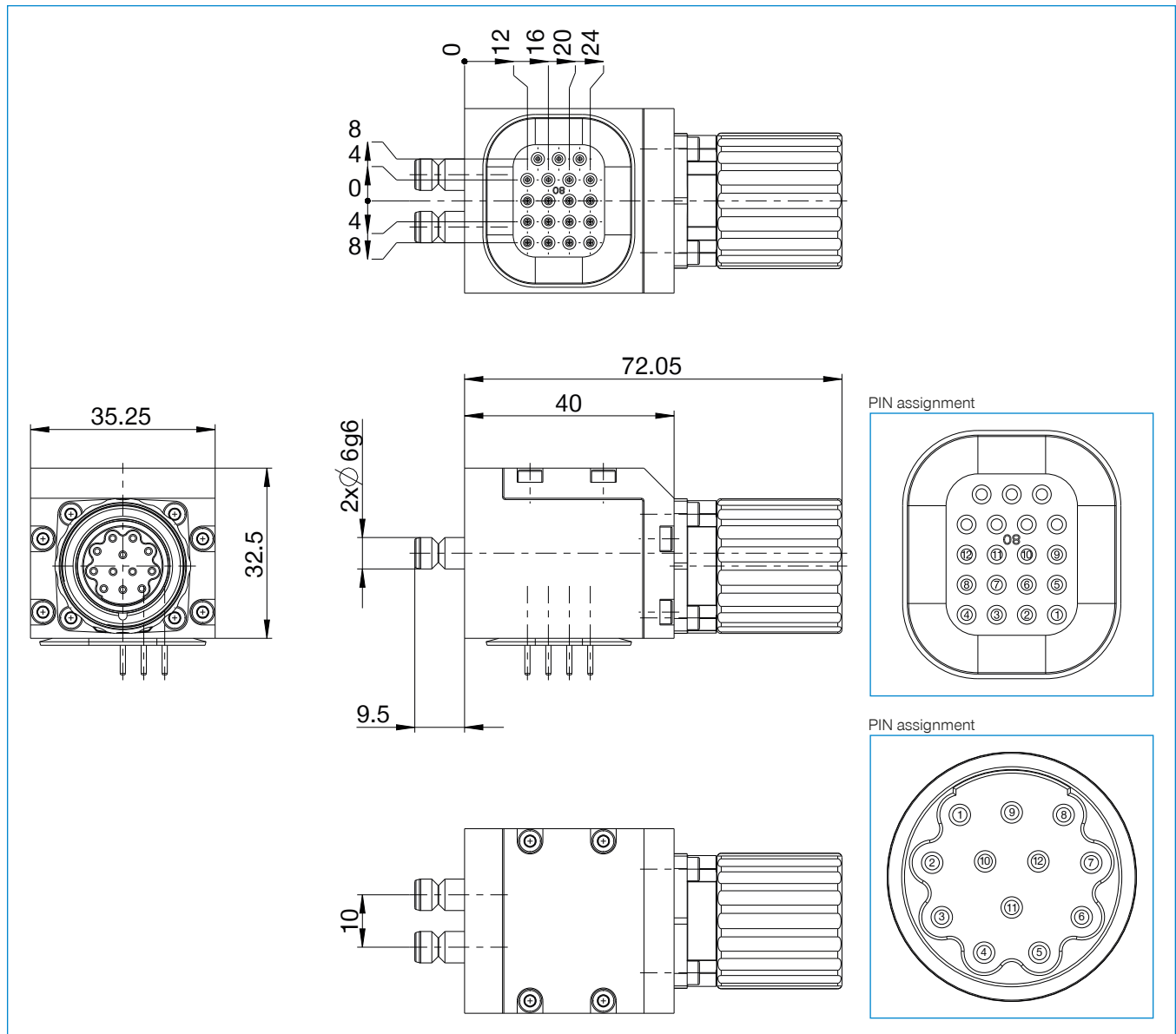


ENERGY ELEMENT

WER3000LSI12-00

Order no.	Technical Data
Series	WER3000
Transmission mode	electrical
Function	Signal current
compatible with installation size	WWR100 / WWR125 / WWR160 / WWR1160 / WWR1200
compatible with	Lot part
No. of contacts	12
Connection type	Plug-in Connector
Nominal current [A]	6
Supply voltage [V AC]	150
Fixing thread	M23
Connection type	Socket
Connection type	Round plug
Joining force [N]	40
Release force [N]	40
Protection to IEC 60529	IP54*
Weight [kg]	0.16

*only in coupled state

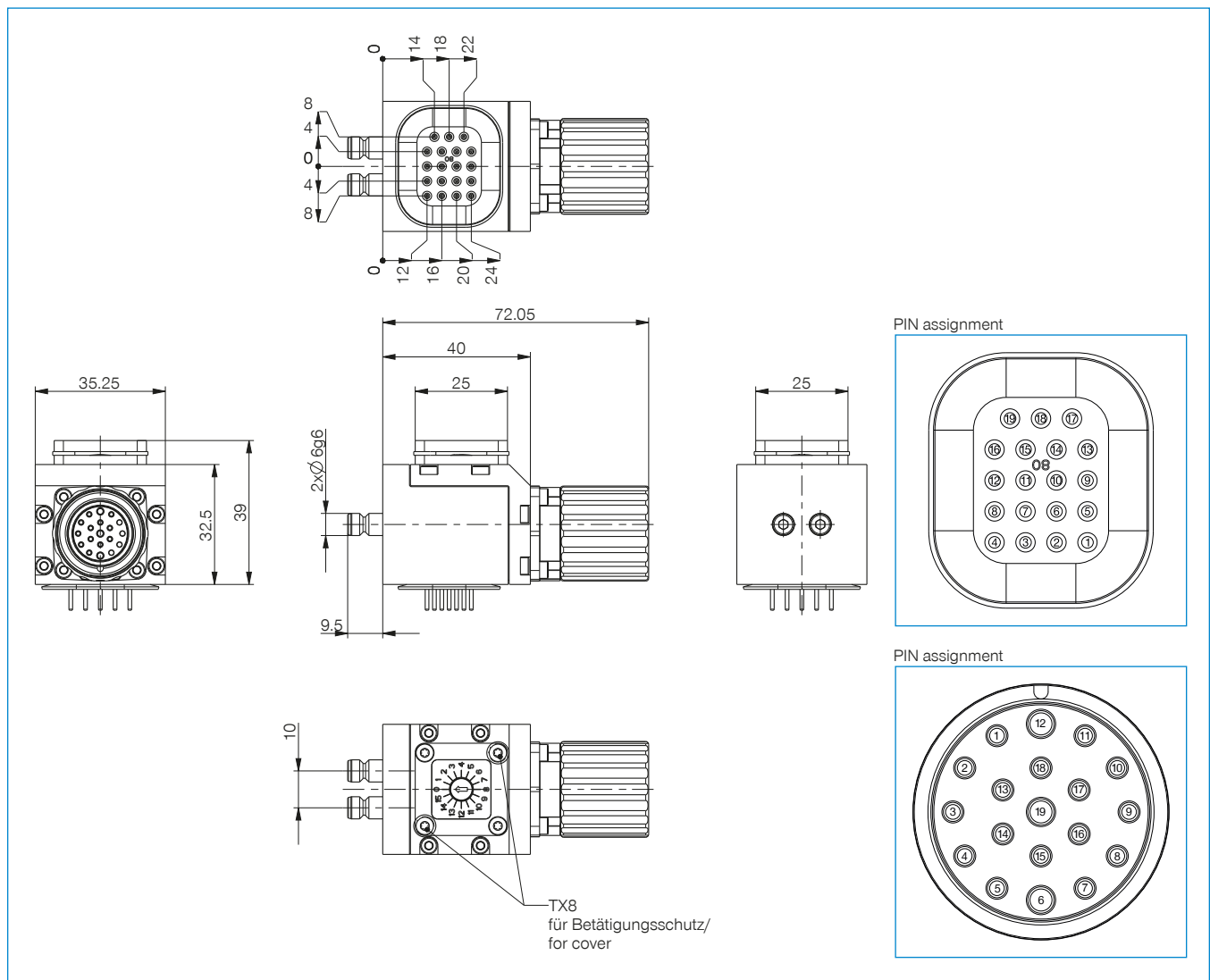


ENERGY ELEMENT

WER3000LSI13-11-A

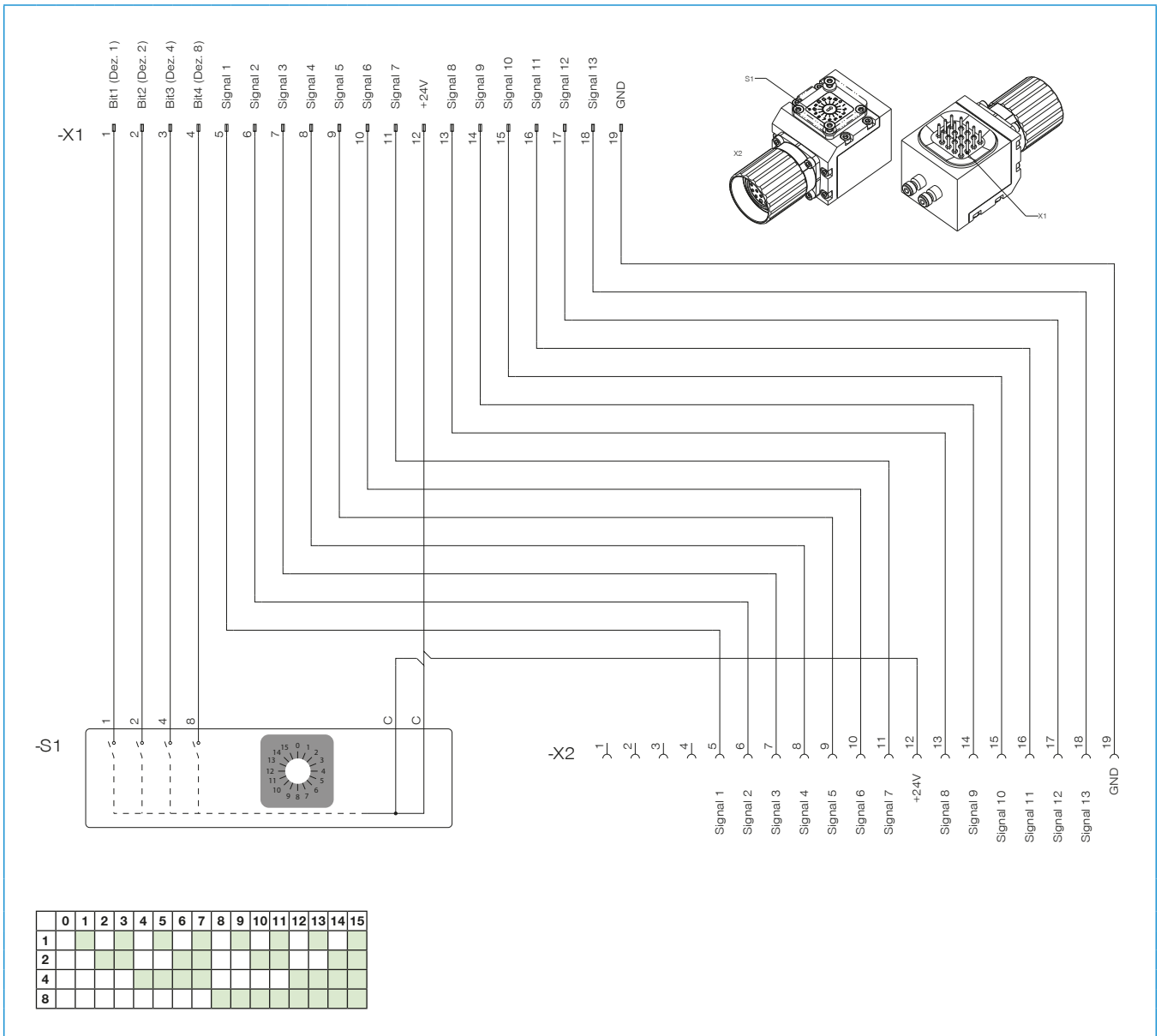
Order no.	WER3000LSI13-11-A
Series	WER3000
Transmission mode	electrical
Function	Tool coding
compatible with installation size	WWR100 / WWR125 / WWR160 / WWR1160 / WWR1200
compatible with	Lot part
No. of contacts	13
Connection type	Plug-in Connector
Nominal current [A]	6
Supply voltage [V AC]	150
Fixing thread	M23
Connection type	Socket
Connection type	Round plug
Joining force [N]	70
Release force [N]	70
Protection to IEC 60529	IP54*
Weight [kg]	0.17

*only in coupled state



ENERGY ELEMENT

WER3000LSI13-11-A

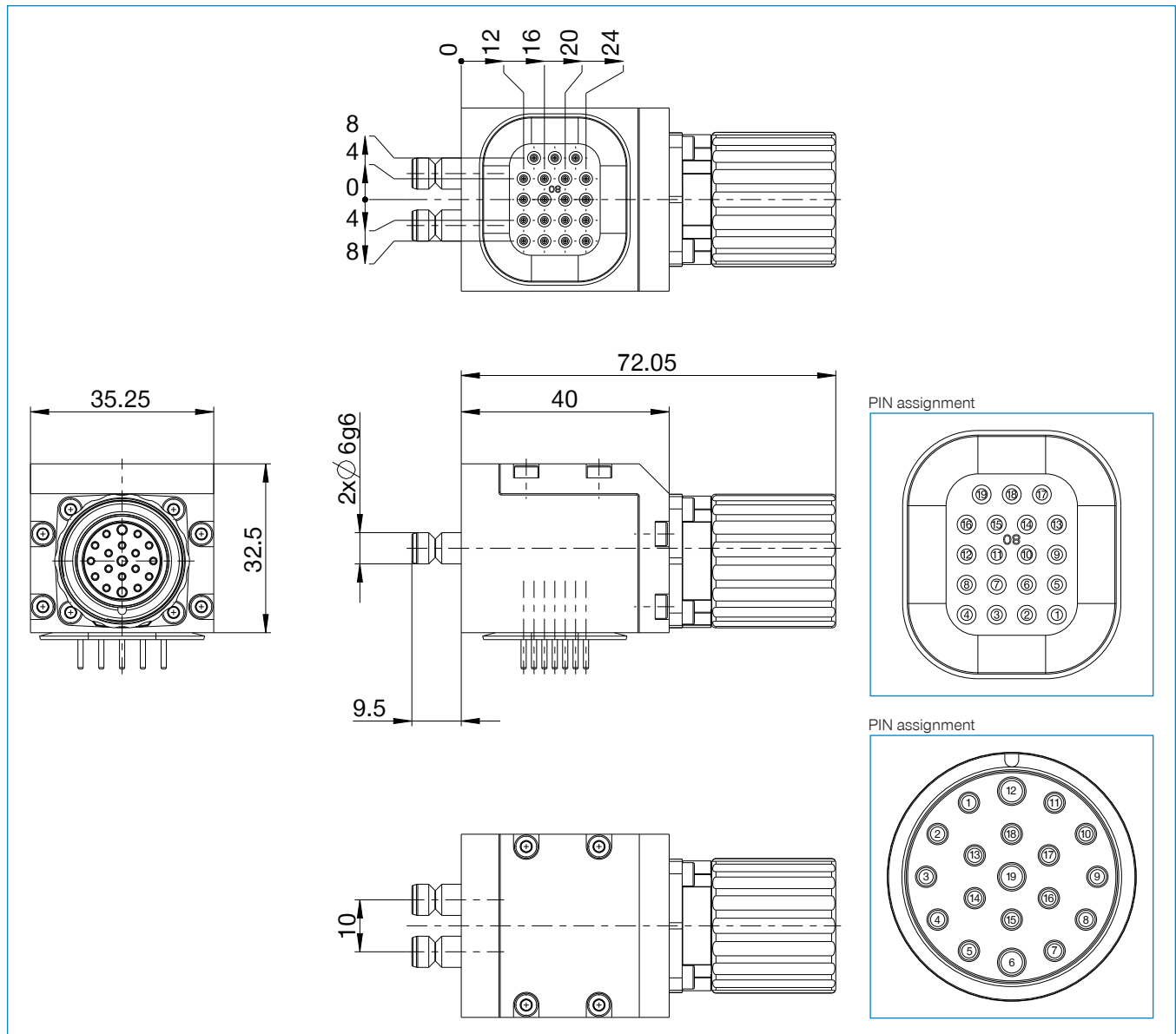


ENERGY ELEMENT

WER3000LSI19-00

Order no.	► Technical Data
Series	WER3000
Transmission mode	electrical
Function	Signal current
compatible with installation size	WWR100 / WWR125 / WWR160 / WWR1160 / WWR1200
compatible with	Lot part
No. of contacts	19
Connection type	Plug-in Connector
Nominal current [A]	6
Supply voltage [V AC]	150
Fixing thread	M23
Connection type	Socket
Connection type	Round plug
Joining force [N]	70
Release force [N]	50
Protection to IEC 60529	IP54*
Weight [kg]	0.15

*only in coupled state



ENERGY ELEMENT

WER3000LSI19-09-A

Order no.	► Technical Data
Series	WER3000
Transmission mode	electrical
Function	Signal current
compatible with installation size	WWR100 / WWR125 / WWR160 / WWR1160 / WWR1200
compatible with	Lot part
No. of contacts	19
Connection type	Spring contacts
Nominal current [A]	3
Supply voltage [V AC]	60
Fixing thread	M23
Connection type	Socket
Connection type	Round plug
Joining force [N]	-
Release force [N]	-
Protection to IEC 60529	IP54*
Weight [kg]	0.15

*only in coupled state

